

MTC-20277 INTT

Single Chip ISDN NT, 4B3T

Data Sheet and User Manual

Rev. 1.2 · October 1998)

Key features:

- ▼ Fully integrated ISDN NT device
 - 'U' and 'S' interfaces in one package
- ▼ Pin compatible with MTC-20276 INTQ (2B1Q)
- ▼ Full compliance with the applicable ETSI, ITU and FTZ requirements
- ▼ Minimal external components
 - uses standard, readily available passive devices
- ▼ < 300mW power consumption, 3.3V operating voltage
- ▼ Advanced 0.5µm CMOS mixed analog/digital process technology
- ▼ 44 pin Plastic Quad Flat Pack package

Applications:

- ▼ Standard ISDN NT1 applications (free-standing mode)
- ▼ Expanded functions through standard GCI port:
 - * Analog line interfaces ("NT1+")
 - * Micro-PABX
 - * Data network gateways

General Description

The MTC-20277 INTT integrates all of the communications functions required in a Basic Rate ISDN Network Terminator on a single monolithic integrated circuit. The INTT is designed for the 4B3T line-code on the U interface and is pin compatible with the MTC-20276 INTQ, which performs identical functions but with the 2B1Q U interface line code.

Ordering Information

Part number	Package	Code	Temp.
MTC-20277PQ-C	44 pin PQFP	PQ44	0 to 70°C
MTC-20277PC-C	44 pin PLCC	PC44	0 to 70°C
MTC-20277PQ-I	44 pin PQFP	PQ44	-40 to 85°C
MTC-20277PC-I	44 pin PLCC	PC44	-40 to 85°C

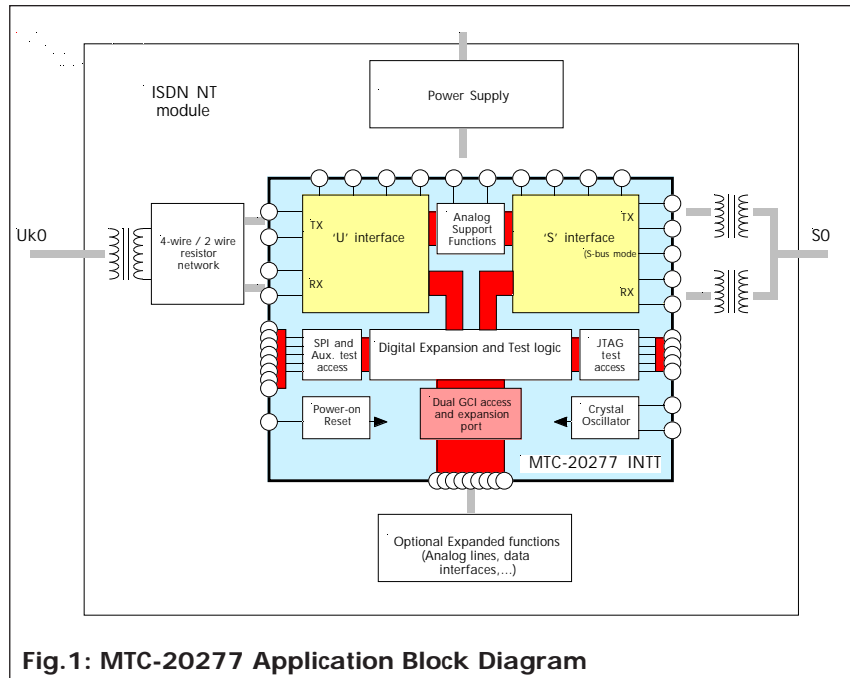


Fig.1: MTC-20277 Application Block Diagram

The MTC-20277 uses the ARM7TDMI processor core from ARM Ltd, UK



MTC-20277 INTT

NT and Extended NT Functions (“NTplus”)

The MTC-20277 requires very few external components, all of which are low-cost and readily available types. In addition, the use of a 44PQFP package style allows further savings in the total cost and physical size of the ISDN NT module. Though designed primarily for simple ISDN NT modules, the INTT offers an expansion port, using the industry-standard GCI format, to allow extended functions to be added (e.g. interfaces to existing analog terminal equipment by means of the MTK-40130 Short-Haul POTS chipset).

The MTC-20277 has a number of test access ports to facilitate system or production testing. One of these ports is configured as a dual GCI interface, which operates in one of two modes. In Mode 0 (GMode = logic 0), the GCI port allows the data flow between the ‘U’ and the ‘S’ ports to be optionally monitored. This is the “alone” mode, which is the normal mode for simple NT1 applications. No additional microprocessor or other control device is required in this mode.

Mode 1 (GMode = logic1) allows separate access to the ‘U’ and the ‘S’ ports, for use by an external GCI compatible controller device. In this mode, the chip supports additional features required by extended NT modules (“NT1+”) such as interfaces to existing analog equipment, or advanced data communication gateways.

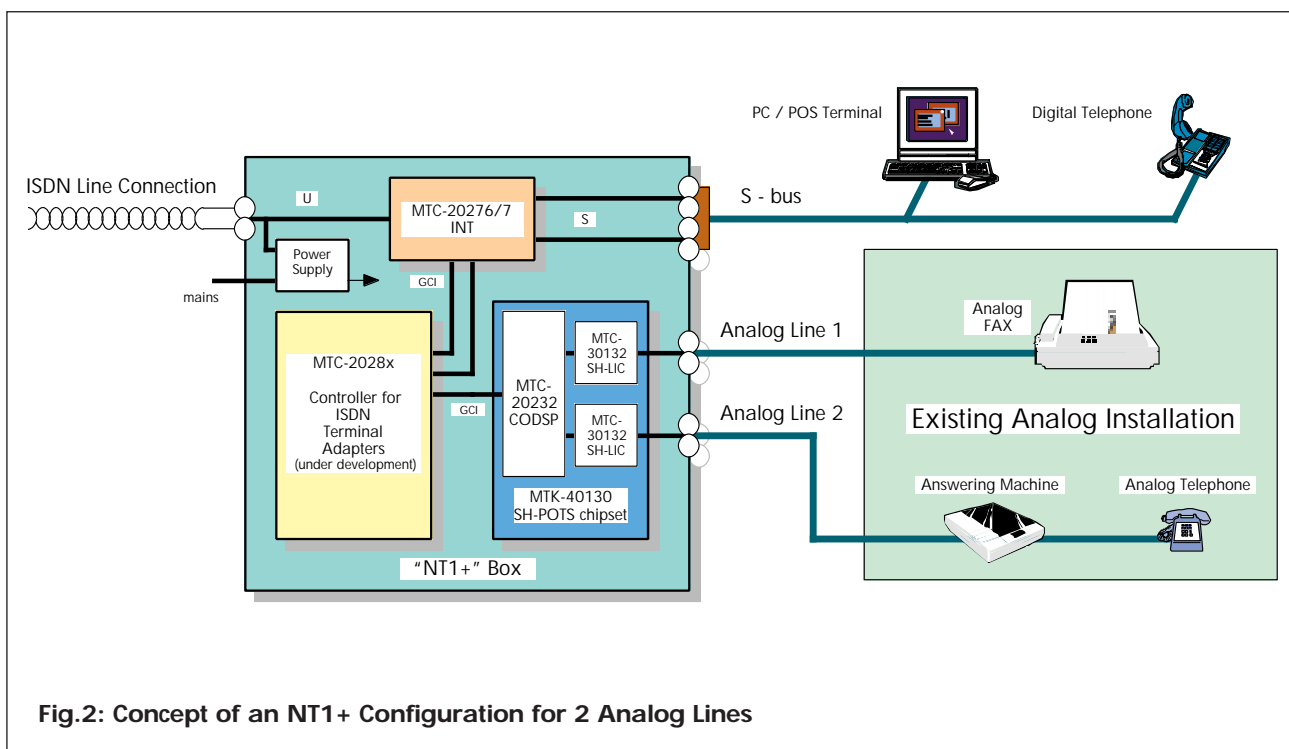
The application circuit section describes the circuit configuration of the MTC-20277 in its stand alone mode, for conventional NT1 applications.

Figure below shows the system concept of an MTC-20277 in an “NT1+” application, in combination with the Alcatel Microelectronics MTK-40130 “SH-POTS” chipset for short-haul analog telephone lines, and the MTC-20270 CITA which performs the necessary control and interface functions.

Standards Compliance

MTC-20277 complies with relevant ETSI specifications.

V12: ETSI ETS 300 297
ETSI ETS 300 012



MTC-20277 INTT

Package / Pinout

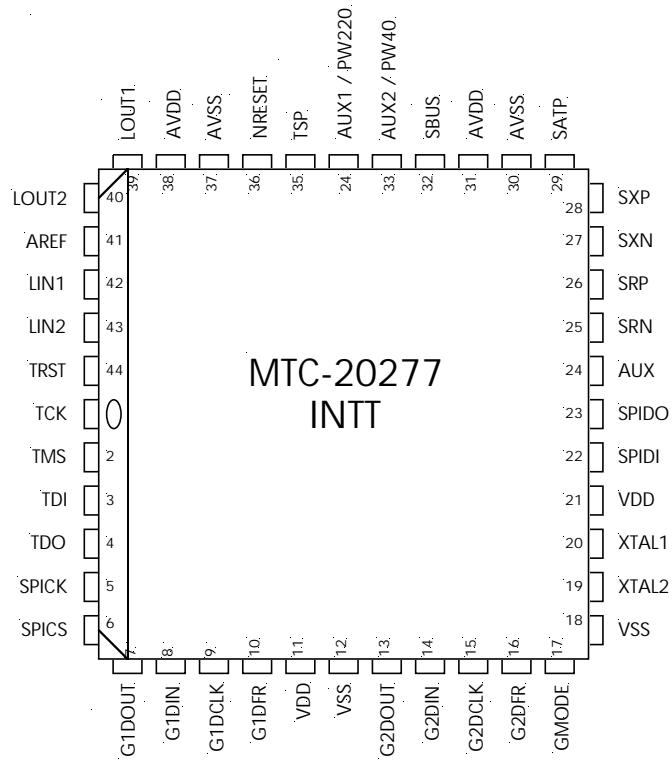


Fig.3a: Pinout, 44PLCC Package (MTC-20277-PC)

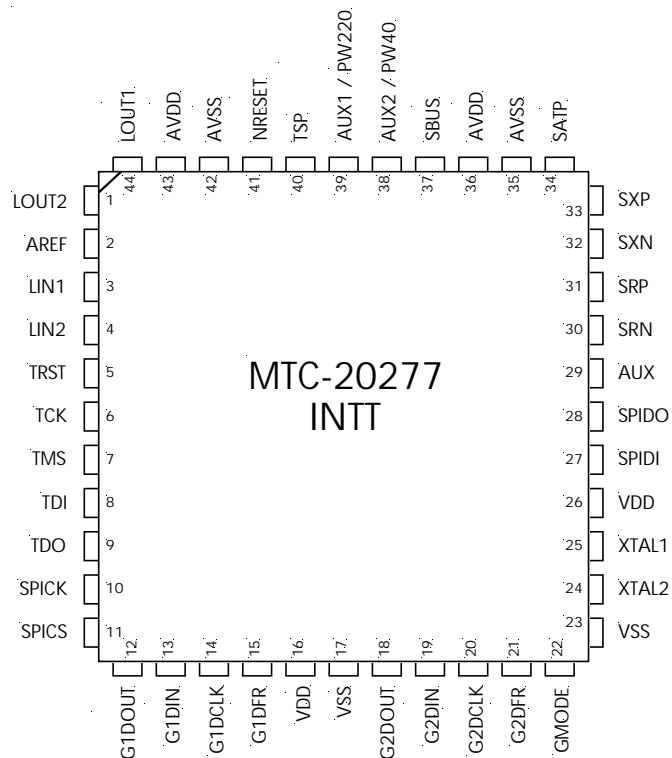


Fig.3: Pinout, 44 PQFP Package (MTC-20277-PQ)

MTC-20277 INTT

Pin Description

Pin number one for the 44PQFP package.

Nr.	Function	Name	Dir.	Description
44 1	U	LOUT1	O	U interface analog outputs. The connections LOUT1 and LOUT2 interface the U driver outputs, via termination resistors and the line coupling transformer, to the UKO reference point.
		LOUT2	O	
3	Int.	LIN1	I	U interface analog inputs to the INTT from the analog 'hybrid'
4		LIN2	I	
2		AREF	O	Analog ground. Used as reference voltage for analog functions
43		AVDD	P	VDD for analog U interface functions
42		AVSS	P	VSS (0V ground) for U interface analog functions
33 32		S	SXP	O
	SXN		O	
31	S	SRP	I	S interface analog inputs. SRP and SRN interface the S inputs via a line coupling transformer to the S0 interface point (Rx).
30		SRN	I	
37	Int.	SBUS	I	S-bus type configuration. 1 = short bus with fixed timing, 0 = adaptive timing for extended bus or point-to-point
34		SATP	O	Analog test pin. Used for test purposes only, should be left open circuit
36		AVDD	P	VDD for analog S interface functions
35		AVSS	P	VSS (0V ground) for S interface analog functions
12 13 14 15	GCI	G1DOUT	O	Primary GCI interface G1: G1DOUT = data output G1DIN = data input (output direction in monitoring mode) G1DCLK = 512 KHz GCI clock G1DFR = 8KHz GCI frame clock which identifies the beginning of the frame of G1DIN and G1DOUT
		G1DIN	I/O	
		G1DCLK	O	
		G1DFR	O	
18 19 20 21	Int.	G2DOUT	O	Secondary GCI interface G2: G2DOUT = data output G2DIN = data input G2DCLK = 512KHz GCI clock G2DFR = 8KHz GCI frame clock which identifies the beginning of the frame of G2DIN and G2DOUT Remark : if NT Plus mode not used, the inputs have to be strapped low.
		G2DIN	I	
		G2DCLK	I	
		G2DFR	I	
22		GMODE	I	Select NTplus mode. 0 = monitoring mode, 1 = NTplus mode.
5 6 7	JTAG	TRST	I	TAP controller reset, active low
		TCK	I	TAP controller clock, maximum 10 MHz
		TMS	I	TAP controller mode selection
8 9	Int.	TDI	I	TAP controller input
		TDO	O	TAP controller output

MTC-20277 INTT

41		NRESET	I	Hardware reset, active low. Schmitt trigger input for connection to external RC or logic device. Reset pulse min. 10ms. (threshold 1.65V CMOS level) Connection to external crystal (15.36MHz ± 100ppm loading caps 2x22pF) Connection to external crystal. May also be used as input for external master clock source. Test Single Pulses. INT transmits alternate positive and negative pulses to act as test and search-tone on the line. Pulse repetition rate is 1KHz at the 'U' interface, and about 4KHz on the 'S' interface. Test input only (strap to ground) Selection between S block mode 1 = reduced 0 = normal
25		XTAL1	I	
24		XTAL2	I	
40		TSP	I	
39		AUX1	I	
38		AUX2	I	
10	SPI Int.	SPICK	O	Must be strapped to ground for normal operation of MTC-20277.
11		SPICS	O	
27		SPIDI	I	
28		SPIDO	O	
29		AUX	I	Must be strapped to ground for normal operation of MTC-20277.
16		VDD	P	Positive supply for digital functions
26		VDD	P	
17		VSS	P	0V ground for digital functions
23		VSS	P	

MTC-20277 INTT

Application Schematic

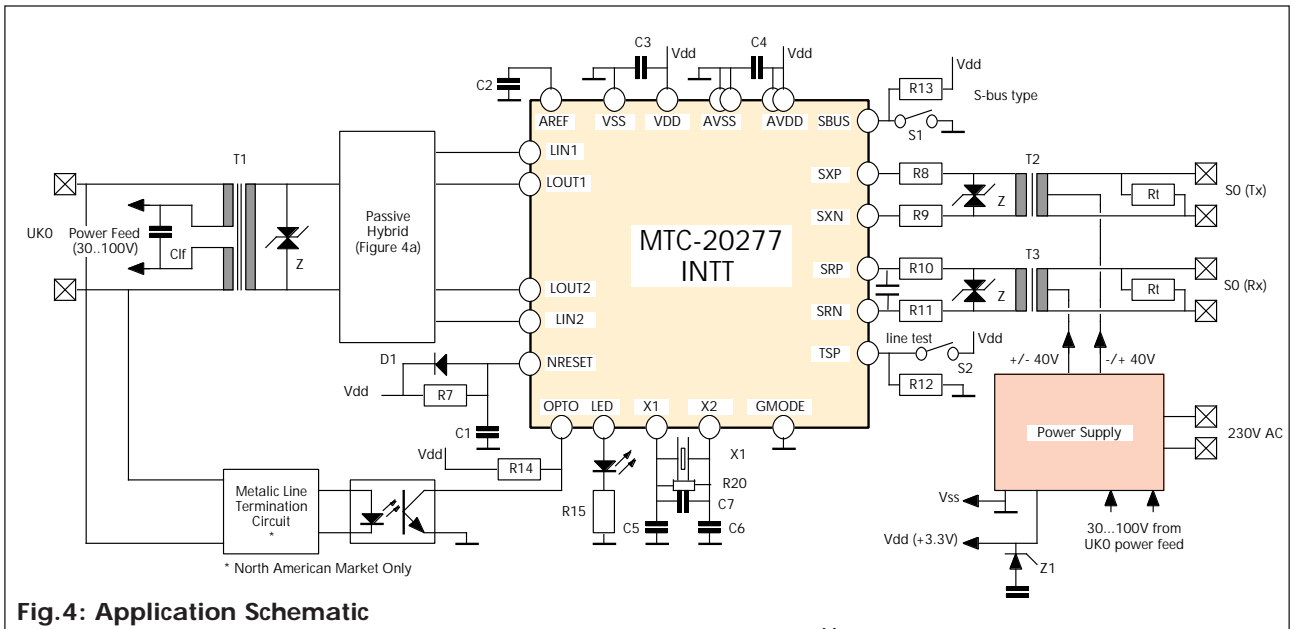


Fig.4: Application Schematic

Component	Function	Value	Comment
R1,R6	U feed	25R	±1%
R2,R4	U feed bridge	3k3	±1%
R3,R5	U feed bridge	7k	±1%
R7,R12,R13	Pull-up/down	100k	
R8,R9	S-bus transmit impedance	34R	±1%
R10,R11	S-bus receive impedance	5k	±1%
Rt	S-bus termination resistor	100R	
X1	crystal	15.36 MHz	see text
Ch	U feed bridge filter	330p	
C1	reset delay	100n	
C2,C3,C4	supply decoupling	100n	
C5,C6	crystal load	22p	see text
C7	crystal load	0 to 22p	see text
R20	crystal load	1m Ω	
Clf	Line-feed coupling	2μ2	250V
D1	loss-of-power reset	1N4148	any small signal diode
T1	U transformer	1.6:1, 6mH	see text
T2,T3	S transformer	2:1	see text
S1	switch	-	S-bus mode
S2	switch	-	Test signal
S3	jumper	-	S-interface functions
Z	overvoltage protection	1N4004	see text

Transformer Specifications:

S-interface

Parameter	Min	Max	Units
Turns Ratio	2 : 1		Line : Chip
Primary Inductance	20		mH
Leakage Inductance		13	μH
Interwinding Capacitance		50	pF nominal
PRI DCR	0.9	1.3	Ω (1.1Ω ± 20%)
SEC DCR	2.1	3.1	Ω (2.6Ω ± 20%)

U-interface

Parameter	Min	Max	Units
Turns Ratio	1.6 : 1		Line : Chip
Primary Inductance	5.25	6.75	mH
Leakage Inductance		60	μH
Interwinding Capacitance		90	pF
PRI DCR	6	7	Ω
SEC DCR	3.5	4.2	Ω

Master Clock and XTAL Connections

At the pins XTAL1 and XTAL2 a crystal must be connected to form a parallel mode oscillator. Two capacitors of 22 pF have to be connected to ground. Some crystals may require the parallel capacitor Cp to be used (10 pf Typ).

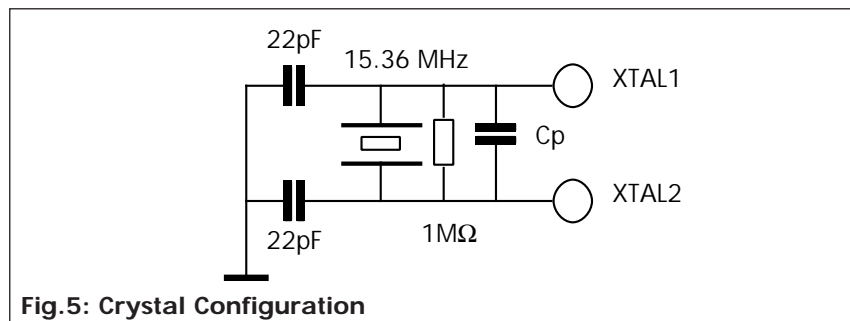


Fig.5: Crystal Configuration

Example Crystal Specifications

AT cut, fundamental mode		
Series resonance frequency	15.360	MHz
Initial tolerance	± 100	ppm
Frequency drift	± 10	ppm
Dynamic capacitance	15	fF (info)
Load capacitance	30	pF
Parallel capacitance	7	pF (info)
Series resistance	40	Ω
Series resistance drift (age)	± 10	%
Drive level	0.25	mW

MTC-20277 INTT

Overvoltage Protection

This is strongly dependant on the PCB layout and local specification variations. Generally, Mietec recommends the use of standard small-signal diodes (e.g. 1N4004) to clamp voltages from the S- and U interfaces to Vdd and

ground. The recommended protection for the U interface is to diode clamp the chip side transformer pins to the supply rails, and for the S interface clamp the INTT device pins (30,31, 32,33). In order to prevent excessive

disturbance voltages from causing the power-supply voltage to increase (full-wave rectifier effect through the protection diodes), it is recommended that a zener-diode is used to clamp the Vdd voltage.

Unused Pins

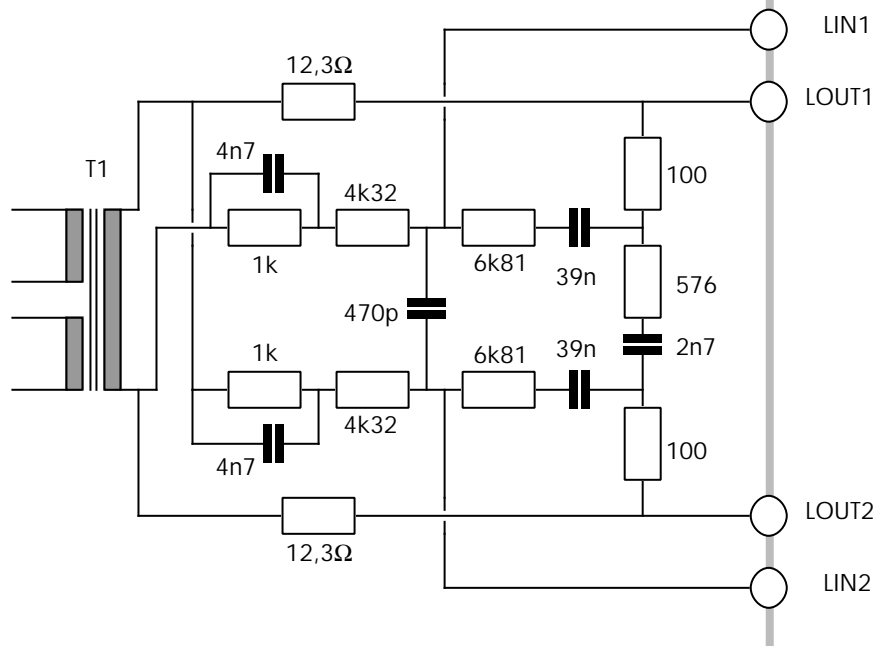
The INTT has a number of device pins which are used only in specific applications, or for device testing. These pins should be connected as shown

below to ensure proper operation in a given application. '0' means connect to ground, '1' means connect to Vdd, 'open' means make no connection.

A dash ('-') means that the pin is used in the application. All other pins have defined states as shown in the application schematic.

Pin	number	NT mode	NT+ mode
GMODE	22	0	1
G2DOUT	18	open	-
G2DIN	19	1	-
G2DCLK	20	0	-
G2DFR	21	0	-
G1DOUT	12	open/monitor	-
G1DIN	13	open/monitor	-
G1DCLK	14	open/monitor	-
G1DFR	15	open/monitor	-
TRST	5	0 (pull down)	0 (pull down)
TCK	6	1 (pull up)	1 (pull up)
TMS	7	1 (pull up)	1 (pull up)
TDI	8	1 (pull up)	1 (pull up)
TDO	9	open	open
AUX	29	0	0
AUX1	39	0	0
SPICK	10	open	open
SPICS	11	open	open
SPIDI	27	0	0
SPIDO	28	open	open
SATP	34	open	open
TSP	40	0 (normal) 1 (test pulses)	0 (normal) 1 (test pulses)
AUX2	38	0 (normal S protocol) 1 (reduced S protocol)	0 (normal S protocol) 1 (reduced S protocol)
S BUS	37	0 (P-P S Bus) 1 (Short S Bus)	0 (P-P S Bus) 1 (Short S Bus)

Common Hybrid Schematics for 4B3T (MTC-20277) and 2B1Q (MTC-20276)



MTC-20276 - Recommended Hybrid component Configuration

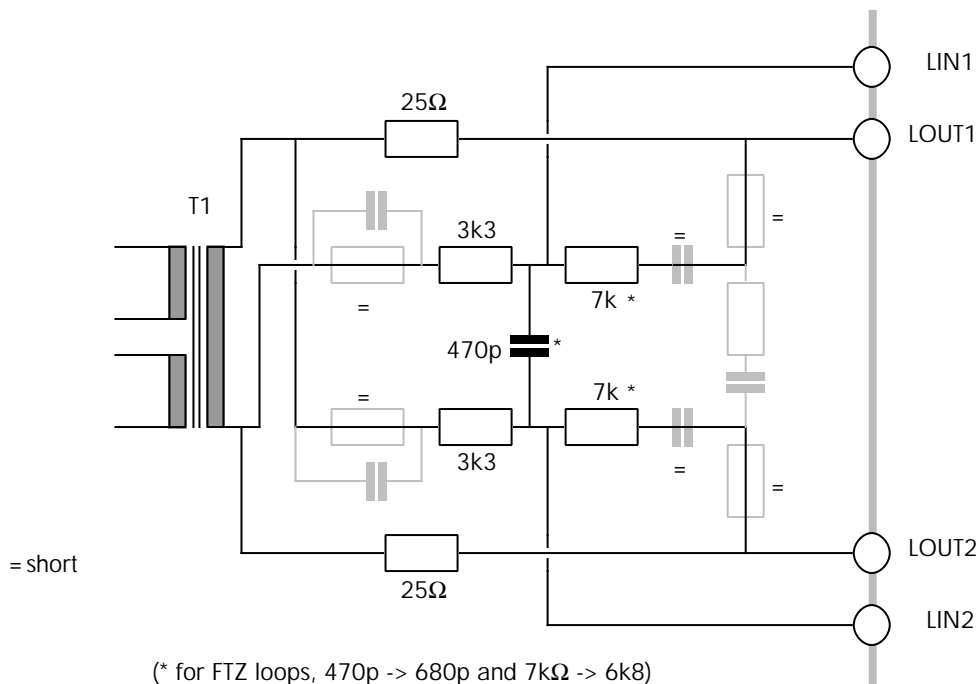


Fig .5a : MTC-20277 - Recommended Hybrid Component Configuration, using same PCB layout as 20276, (ETSI loops)

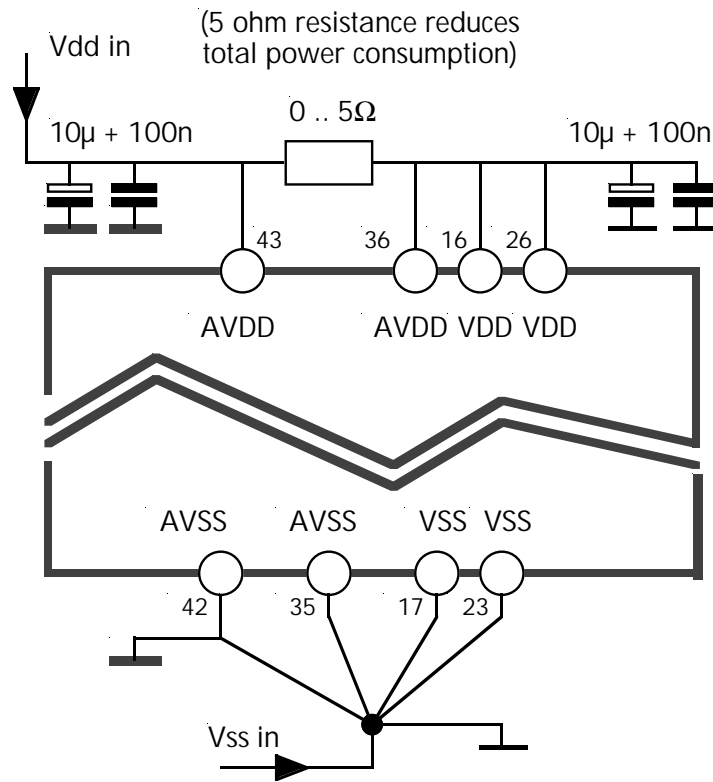


Fig. 5b : MTC-20276 / 20277 Recommended Power Supply Arrangement

Electrical Characteristics

Absolute Maximum Ratings

Operation of the device at or near these conditions is not guaranteed. Sustained exposure to these limits will adversely effect device reliability.

Parameter	Max	Units
DVDD, AVDD	3.63	V
Vin, Voltage on any device pin	VSS-0.3 VDD+0.3 or 3.63	V V, whichever is lower
Storage temperature	-55 to +110	°C
Temperature under bias	-55 to +125	°C

Operating Conditions

Unless otherwise stated, all subsequent electrical characteristics are valid over the ranges specified here. ($V_{SS} = 0V$).

Parameter	Min	Max	Units	Note
DVDD, AVDD	3,15	3,45	V	=3.3V ±5%
SN _{AVDD} , supply noise, analog		10	mVpp	
SN _{DVDD} , supply noise, digital		100	mVpp	
SN _{AREF} , supply noise, analog ref.		0.1	mVpp	Note 2
I _{AREF}	- 0,25	+ 0,25	mA	load on AREF Pin
Crystal frequency	15,36	15,36	Mhz	±50ppm, Note 1
Temperature range	- 40	+85	°C	- I suffix
	0	70	°C	- C suffix

Note 1. An external clock may be applied to XTAL2, pin 24. Temperature dependent drift <10ppm.

Note 2. AREF is an output, designed to allow a decoupling capacitor to be placed on the internal analog reference voltage. The external circuit layout must avoid the induction of noise on this pin.

MTC-20277 INTT

DC Characteristics

Parameter	Conditions	Min	Max	Units	Note
Ptot	Total power consumption, active		350	mW	1,3
Ppd	Power consumption, power-down		20	mW	
VIH	Input level, logic 1	0.8		DVDD	2
VIL	Input level, logic 0		0.2	DVDD	2
VOH	Output level, logic 1	0.85		DVDD	2
VOL	Output level, logic 0		0.4	V	2
V _{AREF}	Reference voltage output, load current < ±250µA.	1.6	1.7	V	(1.65V±3%)
V _{TNRES}	Nreset input threshold	1.6	1.7	V	

Note 1: U and S active, random signal. U loaded 135 Ohm, S loaded 50 Ohm.

AVDD (U - PIN 43) = 3.3V

AVDD (S - PIN 36) = 3.0V*

DVDD (PIN 16 & 26) = 3.0V*

* Using 4 Ω resistor to AVDD (PIN 43)

Note 2: All logic pins except NRESET, which is a Schmitt-trigger input with hysteresis.

Note 3: 320 mw TYP

AC Characteristics

Parameter	Conditions	Min	Max	Units	Note
Cin	Input capacitance any pin		1	pF	
Cload	Load capacitance on any output pin		100	pF	
V _{TNRES}	Reset pulse width	10		mS	

Quality / Reliability

Early failure rate ≤ 0.3% at 3000 hours

Long term failure rate ≤ 300 FIT for 45°C average ambient and 45% average humidity

Lifetime ≥ 15 years

Detailed Functional Description

GCI Interface, Common Functions

Data Format and Timing of the GCI Interface (DIN, DOUT, DCLK, DFR)

Continuous Modes

Nominal bitrate of data (DIN and DOUT)	256 kbit/s
Nominal frequency of clock (DCLK)	512 kHz
Peak-to-peak output jitter (DCLK)	≤ 166 ns
Nominal frequency of frame clock (DFR)	8 kHz
Mark-to-space ratio of DFR, i (input)	1:2 . . . 2:1
Mark-to-space ratio of DFR, o (output)	0.4:0.6 . . . 0.6:0.4

Figure 6 shows the timing of data and clocks at the digital interface 256 kbit/s (continuous modes).

Transitions of the data occur after even numbered rising edges of the DCLK. The data is valid on the odd numbered rising edges of the DCLK. Even-numbered rising edges of the clock are defined as the second rising edge following the rising edge of the frame clock and every second rising edge thereafter. The maximum allowed jitter is shown in figure 7.

The start of the frame is marked by the rising edge of the frame clock DFR.

One frame contains four time slots. The data streams at DIN and DOUT consist of four bytes per frame. See figure 8. The input data DIN and the output data DOUT are synchronous and in phase.

In the power-down state, the signal at DIN and at DOUT is high and the signal at DFR and DCLK is low.

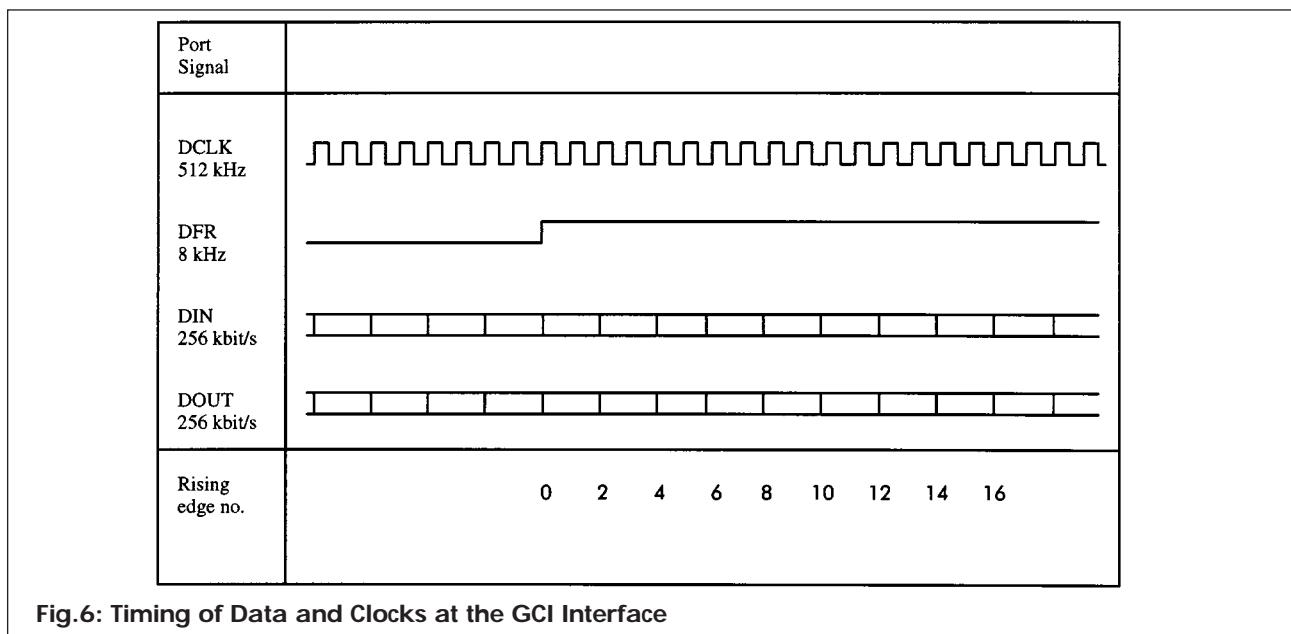


Fig.6: Timing of Data and Clocks at the GCI Interface

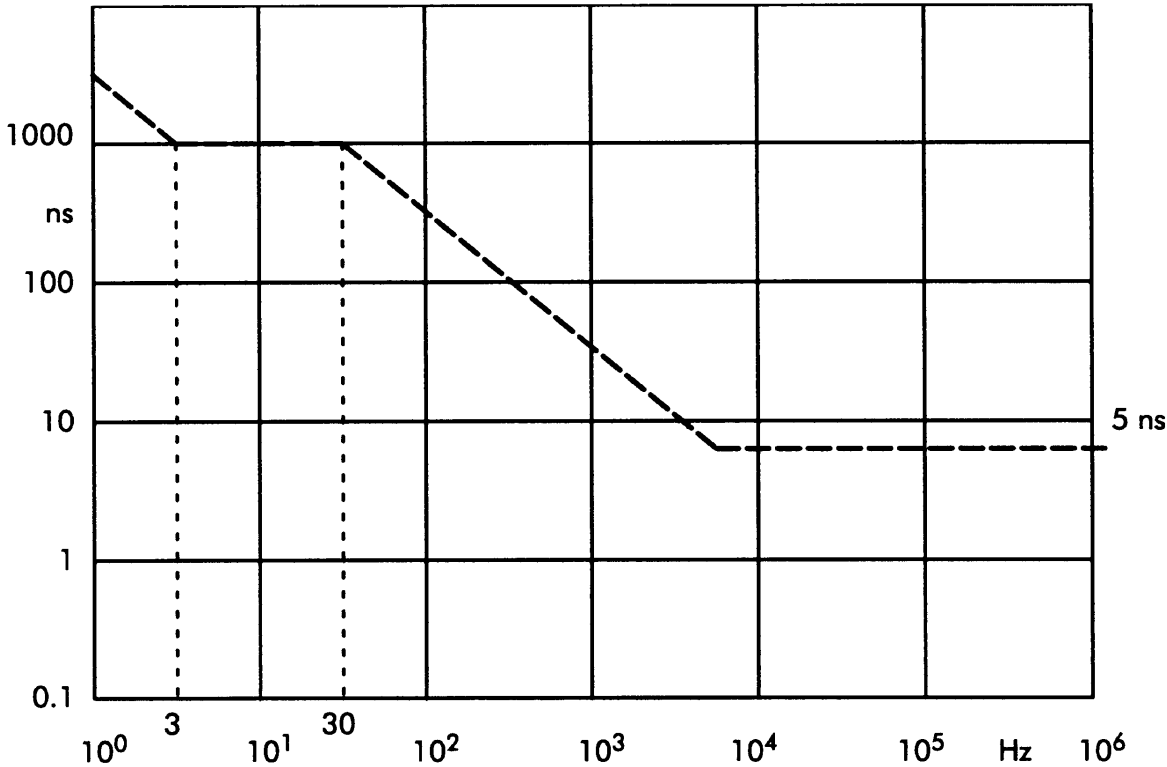


Fig.7: Maximum admissible peak-to-peak input jitter of clocks (DCLK, DFR) at module interface

Frame Format

4 bytes are transmitted in each frame:

- 1st byte B1: B-channel (64 kbit/s data), transparent
- 2nd byte B2: B-channel (64 kbit/s data), transparent
- 3rd byte B2*: Monitor channel
 DIN: 8 bit address MSB first
 DOUT: 8 bit data
- 4th byte B1 *: 2 bit D-channel (16 kbit/s data)
 4 bit C/I channel A1, A2, A3, A4
 A, E bit used to control the transfer of information
 on the Monitor channel

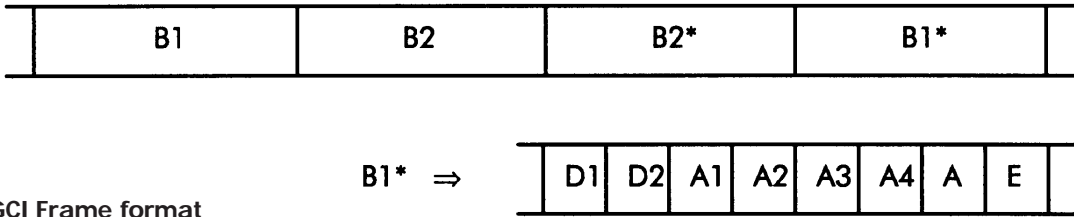


Fig.8: GCI Frame format

External GCI Interfaces

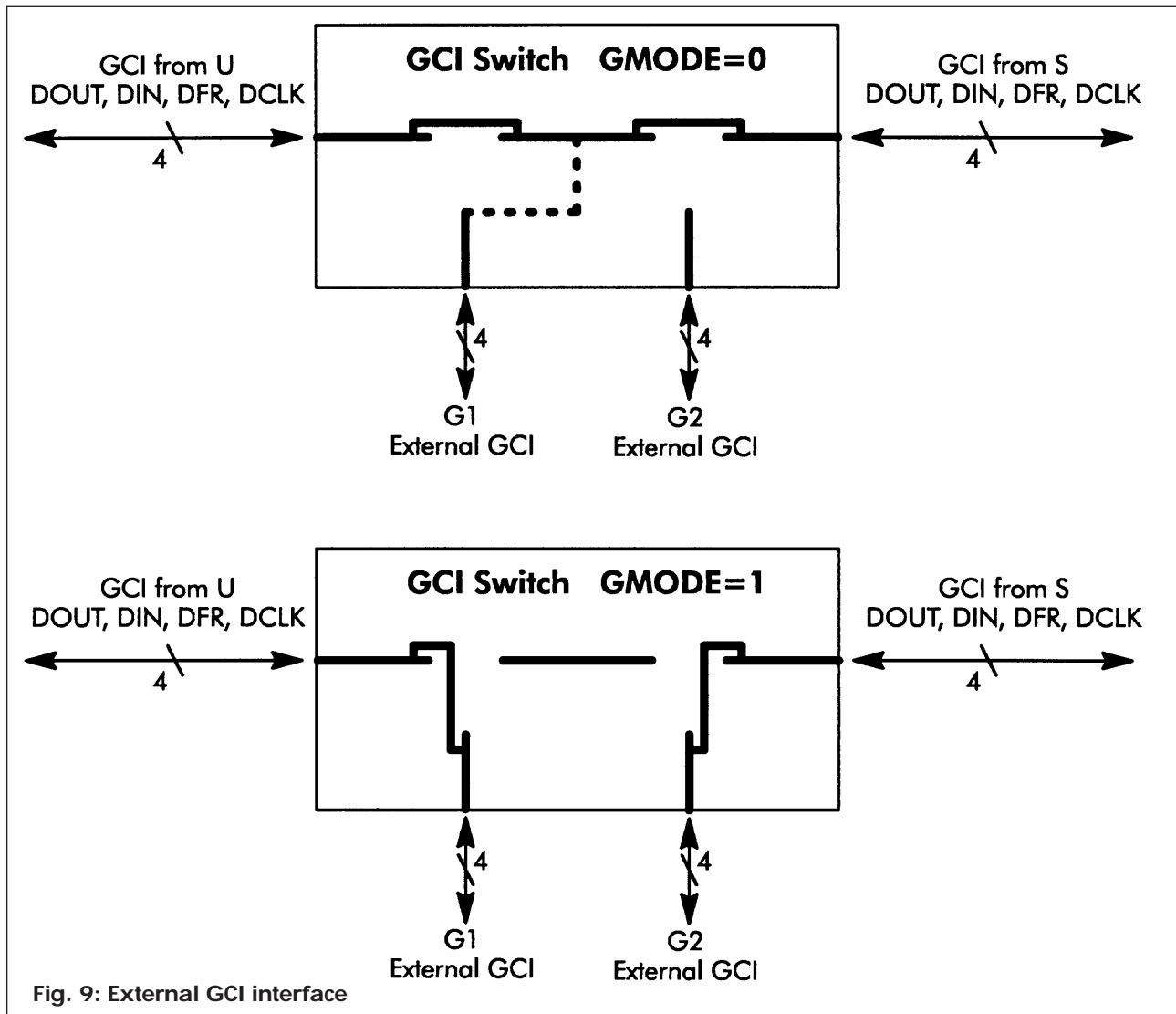


Fig. 9: External GCI interface

G1 External GCI Interface

Figure 9 shows a schematic representation of the two possible modes of the GCI ports.

In normal mode, corresponding to pin GMODE low, the two internal GCI interfaces are shorted. The G1 interface is used as a monitor.

In NTplus mode, corresponding to pin GMODE being high, the GCI interface coming from the UIC block is connected to the G1 External GCI.

The UIC block is the master of the GCI interface and thus controls the GCI clock (DCLK) and the GCI frame (DFR). DCLK and DFR signals at the G1 interface are outputs of the INTT.

G1 interface characteristics:

- G1 DOUT: output, data channel, 256 KHz
- G1 DIN: input in NTplus mode, output in normal mode; data channel, 256 KHz
- G1 DFR: output, frame clock, 8 KHz
- G1 DCLK: output, clock, 512 KHz

G2 External GCI Interface

In normal mode, corresponding to pin GMODE low, the two internal GCI interfaces are connected together. G2 interface has no function.

In NTplus mode, corresponding to pin GMODE high, the GCI interface of the SIC block is connected to the G2 External GCI.

The SIC block is the slave of the GCI interface, so the GCI clock (DCLK) and the GCI frame (DFR) signals at the G2 interface are inputs of the INTT .

G2 interface characteristics:

- G2 DOUT,: output, data channel, 256 KHz
- G2 DIN,: input, data channel, 256 KHz
- G2 DFR: input, frame clock, 8 KHz
- G2 DCLK: input, clock, 512 KHz

U Interface Command List

The evaluation of any command is done according to a double last look criterion: any command is recognized only after the same command has been detected in two successive frames. Until then the preceding command is considered valid.

If commands are received that are not included in the list, the last recognized command is considered valid. Commands which are logically impossible to receive in the current state are ignored (ref. ETR 80).

The indications are transmitted continuously in each frame. Under no circumstances can an indication that is not included in the list be transmitted. The maintenance and Service Channel, and the B2* Channel are not used by the UIC block.

Command and Indicate (C/I) Channel (A bits)

Command (DIN) (from GCI to U) description of events in MTC-20277

Awake	0000: AW	This command has to be used when the deactivated module interface is to be set in the power-up state. The command may be represented by a steady state binary '0' condition at DIN. The module interface will be activated, i.e. provided with bit and frame clocks for synchronous transmission. Any other command may now be applied. The command AW, however, maintains the activated state of the module interface without emission of any signal at U.
Activate	1000: ACT	Layer 1 is activated at the U interface, starting with transmission of the wake-up signal INFO U1W. After execution of the wakeup procedure, the transmitter generates INFO U1A during synchronization process. When synchronization is completed successfully, the transmitter outputs INFO U1.
Synchronized	11 00: SY	When the synchronization process of the receiver is completed successfully, the transmitter outputs INFO U3. After reception of INFO U4, ACT is indicated, and the INTT will be connected through from module interface to line interface (transparent).
Deactivate	1111: DC	This command enables the receiver to recognize Confirmation wake-up signals at the U interface, but the transmitter still is disabled. If no wake-up signal is recognized, the INTT is set to its power-down state. The module interface will be deactivated.

MTC-20277 INTT

Indication (DOUT) (From U to GCI)

Deactivate	0000: DEAC	A request to deactivate level 1 (INFO U0) has been detected. INFO U0 is transmitted at U.
Test mode 1	0010: TM1	Forces SIC in test mode 1, sending single zeros. Not supported by the UIC but recognized by the SIC (NTplus mode only)
Resynchronization	01 00: RESYN	The receiver has lost framing and is attempting to resynchronize. The INTT remains connected through from module interface to line interface (transparent).
Activate	1000: ACT	The synchronous state of the receiver is established (without a loop 2 or a loop 4 command). The transmitter outputs INFO U1.
Loop 2	1010: L2	The synchronous state of the receiver is established with a loop 2 command. The transmitter outputs INFO U3.
Connection Through	1100: CT	INFO U4H has been detected at the U interface. The INTT will be connected through from module interface to line interface (transparent).
Connection Through with Loop 2	1110: CTL2	INFO U4H and a loop 2 command have been detected at the U interface. The INTT will be connected through from module interface to line interface (transparent).
Deactivated Confirmation	1111: DC	The transmitter is disabled, but the receiver remains enabled to detect wake-up signals at the U interface. The INTT is set in its power-down state, as long as wake-up signals are not recognized. When a wake-up procedure is finished, INFO U1A is transmitted.

Power Down of the Interfaces

In the following description, the U interface port of the GCI interface (G1) is the master, and the S port of the GCI (G2) is the slave.

Transition from Synchronous to Power-Down State

The corresponding procedure is shown in figure 10. After a DC code has been detected at the module interface of the master in two successive frames from the slave, the master responds by indicating DC four times and then the master turns off the timing signals at the end of bit A4 of the fourth DC indication. After this time, the DOUT pins of master and slave must be kept HIGH (quiescent condition).

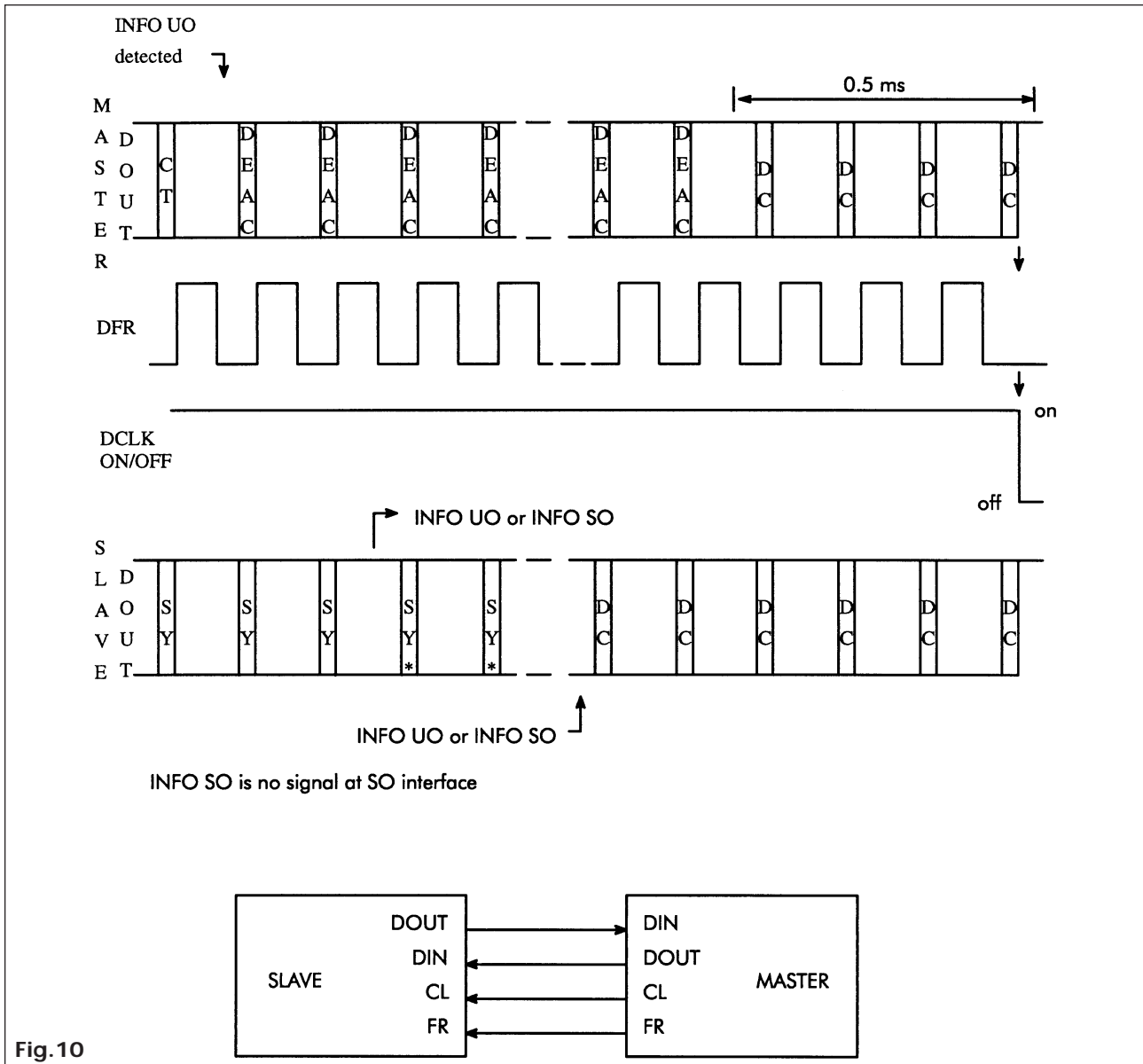


Fig. 10

Wake-up Originated by Slave

Transition from power-down to synchronous operation is initiated by the slave by transmitting LOW at DOUT. See the figure above. The master responds by turning timing signals on within T_{aw} (typical 4 ms, max. 10 ms). To ensure continuous supply of timing signals by the master the slave must keep DOUT LOW.

After the timing signals have been detected by the slave, the slave must transmit AW for at least two frames (e.g. 8 frames). Then the slave may insert a valid code in the C/I channel (e.g. ACT).

Monitoring of pin DOUT for LOW by the master will start only after the timing signals have been turned off.

MTC-20277 INTT

It is required that the clock signals at DCLK and DFR will have the nominal frequency with the specified tolerance from the moment they are turned on. The slave may deactivate the master if only AW (not yet ACT) has been detected by the DC command or by transmitting continuous HIGH at DOUT. The master will respond by turning off the timing signals. See figure 11.

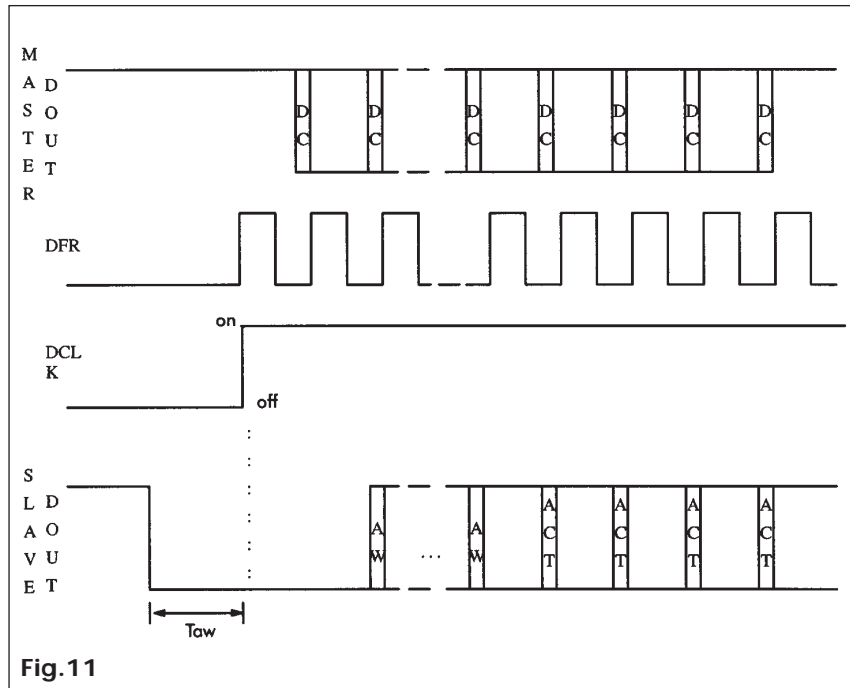


Fig.11

Wake-up Originated by the Master

Transition of the device from power-down to synchronous state can be initiated by the master by turning on clock signals DCLK and DFR. Simultaneously, the master must apply the desired command code in the C/I channel.

The slave may enter the power-up state immediately after clock signals have been applied, and the received command code has been evaluated. See figure 12.

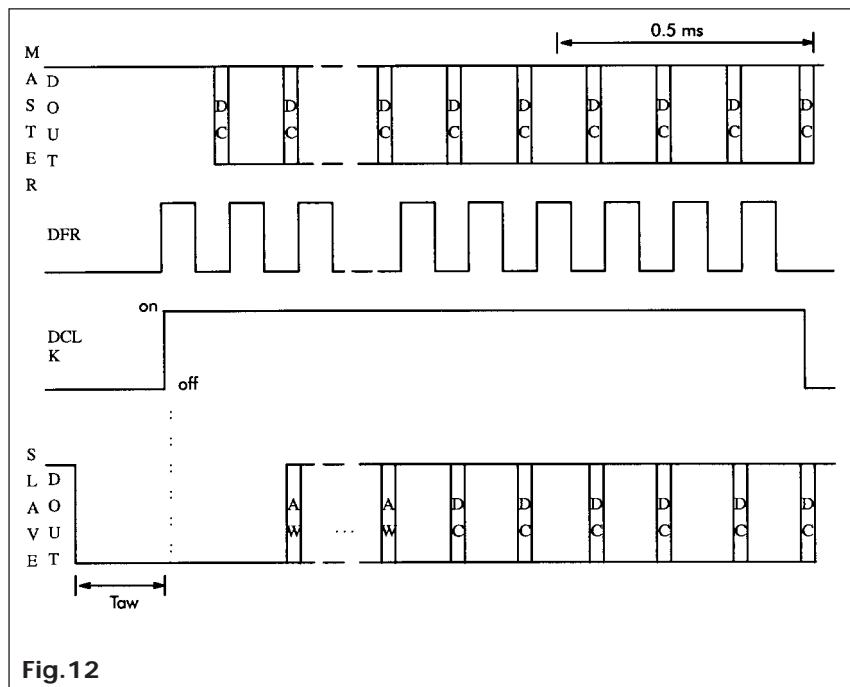


Fig.12

S-Interface Commands and Indications Summary

Table 15

NT	Downstr Command	Upstr. Indicat.		Downstr Command	Upstr. Indicat
0000	DR	TIM	1000	ARd	ARu
0001	RES	(IsI)	1001	-	-
0010	ssz=TM1	-	1010	ARL	-
0011	TM2	-	1001	-	-
0100	RSYd	RSYu	1100	AId	Alu
0101	-	-	1101	-	-
0110	-	ei	1110	AIL	-
0111	-	-	1111	did=DC	Dlu

Commands (Downstream) in NT Mode

Table 16

0000	DR	Deactivate Request	Forces the S-interface block to deactivate the S-bus (=INFO0) followed by Dlu and did=DC
0001	RES	RESET	Forces S-interface to soft reset, extended mode only, S-interface accepts it in basic mode (merged)
0010	ssz = TM1	TEST-MODE 1	Forces S-interface to test-mode 1, sending single zeros
0011	TM2	TEST-MODE 2	Forces S-interface to test-mode 2, extended mode only, sending continuous zeros.
0100	RSYd	Resynchronizing down	The U-interface is not synchronous, S-interface sends INFO2 {or SCZ}, see remark 1 below
1000	ARd	Activation Request down	MTC-20172 S-interface forced to INFO2 transmission, receiver indicates the S-bus reaction
1010	ARL	Activat. req with S-loop	INFO2 transmission on the S-bus test loop2 switched (transparent loop)
1100	AId	Activation Indication	INFO4 transmission, normally only after Alu indication is received
1110	AIL	Activ. Indic. with S-loop	INFO4 transmission test loop2 switched (transparent loop)
1111	did=DC	Deactivate Confirmation	Deactivation confirmation, entering the power down state, INFO0 sent, critical timing to halt the clocks.

Remark 1: When the U-interface is resynchronizing, the S-interface will send INFO2.

Remark 2: During loops, the S-interface simply ignores the incoming INFO3 from the S-bus. The receiver synchronizes on looped INFO2/4.

Indications (Upstream) in NT Mode**Table 17**

0000	TIM	Timing Request	The S-interface requires GCI clocks.
0100	RSYu	Resynchronizing	The S-bus receiver tries to synchronize
0101	-----	-----	-----
0110	ei	Error Indication	RSTB and SCZ- pin both low simultaneously
1000	ARu	Activation Request up	INFO1 received (actually any AMI signal)
1100	Alu	Activation Indication up	Receiver synchronized on INFO2/3/4 (INFO3 normally, INFO2/4 in loop)
1111	Dlu	Deactivation Indication	Timer (32 ms) expired, or INFO0 received (16 ms) after DR (deactiv. request)

The S-Interface Functional Overview

For transmission of data over the subscriber premises, the S-interface provides the So-interface. This interface enables full duplex transmission of data (2B + 1 D-channel) over 4 wires at a nominal data rate of 192 kBits/s. An Alternating Mark Invert (AMI) code is used for the line transmission. The transmission of data over the So-interface consists of frames of 250 μ s. Each frame is 48 bits wide, and contains 4 data bytes (2 B1, 2 B2) and 4 D-bits. The frame structures are shown in

fig.20.

A frame start is marked using a first code violation (no mark inversion). To allow secure synchronization of the receiver, a second code violation is generated before the 14th bit of the frame. To guarantee this second violation, an auxiliary framing bit pair FA and N (from NT to TE) or the framing bit FA with associated balance bit (from TE to NT) are introduced.

The first bit of the transmitted frame from TE to NT is delayed for 2 bit periods with respect to the frame received from the NT. Furthermore, an echo bit (E-bit) for the D-channel and an activation bit (A-bit) are provided, where DC-balancing is done by means of the L-bits.

General Description of the S-bus Interface

The S-interface can be used on the S-bus configured as a point-to-point connection or as a passive bus. The bus connection can handle up to 8 terminals. It is either a short bus with the terminals dispersed over a length of 200m, or an extended bus with a cluster of terminals within a 25 m range. The chip handles full-duplex transmission of two B-channels (64 kbit/s each) and one D-channel (16 kbit/s). It handles also the echo E-channel, the multiframing S and Q bits, ...

The S-interface contains all circuit parts necessary for the adaption of the S-interface, especially transmitter and receiver stages.

- S-bus outputs are balanced, allowing bus operation;
- S-bus inputs are balanced;
- Out-of-band noise is filtered;
- RX has AGC and an adaptive threshold, and corrects long-line distortion by optimizing the sample moment.

- NT receiver bus type is selectable: short bus with fixed timing, or adaptive timing for extended bus or point to point.

The S-bus tranceiver stages must be connected to the bus via external interface circuitry (2:1 transformer) and protection. When the S-interface is in unpowered state (supply voltage = 0 V) the S-bus transmitter is high ohmic (see CCITT I.430).

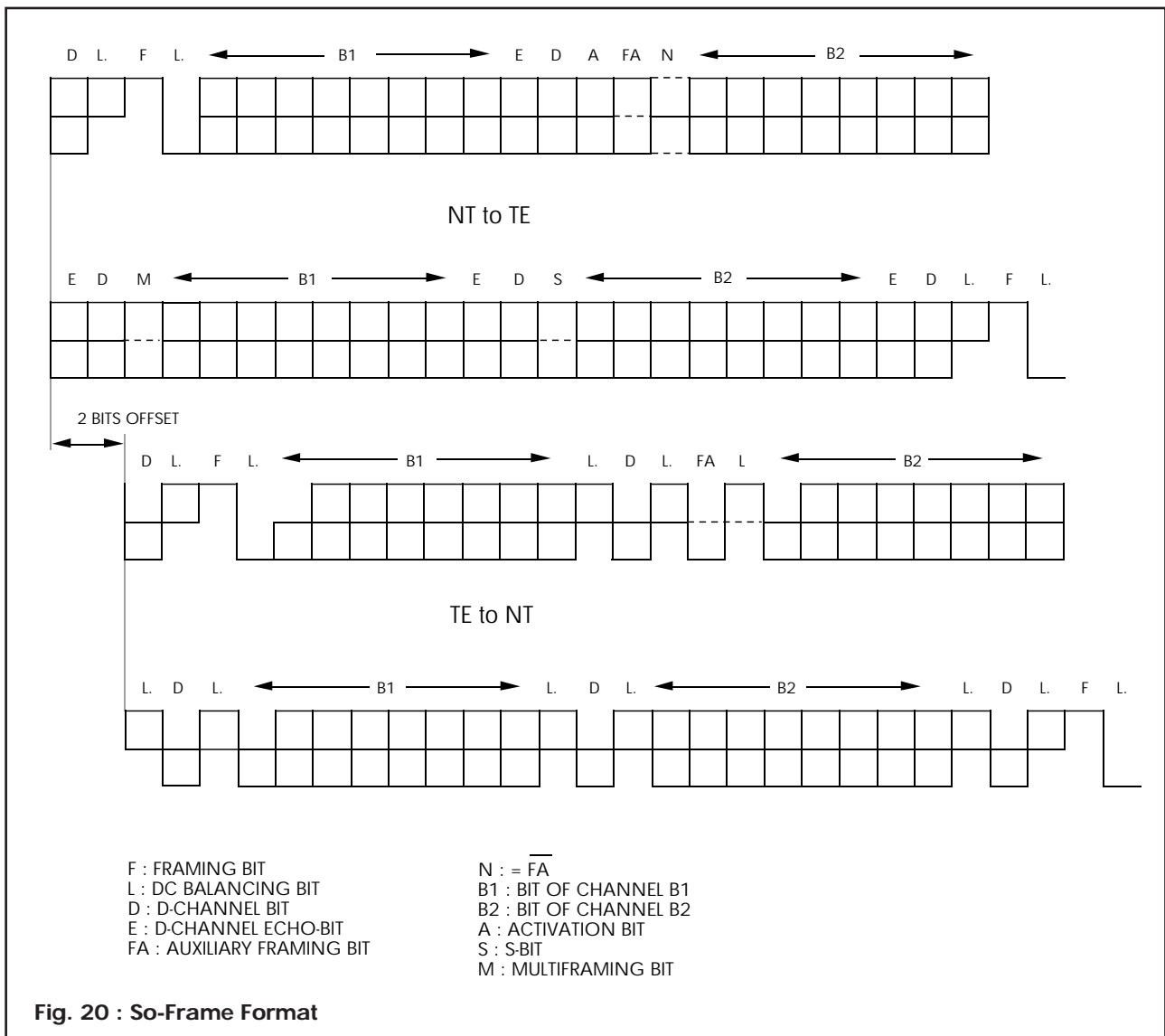


Fig. 20 : So-Frame Format

MTC-20277 INTT

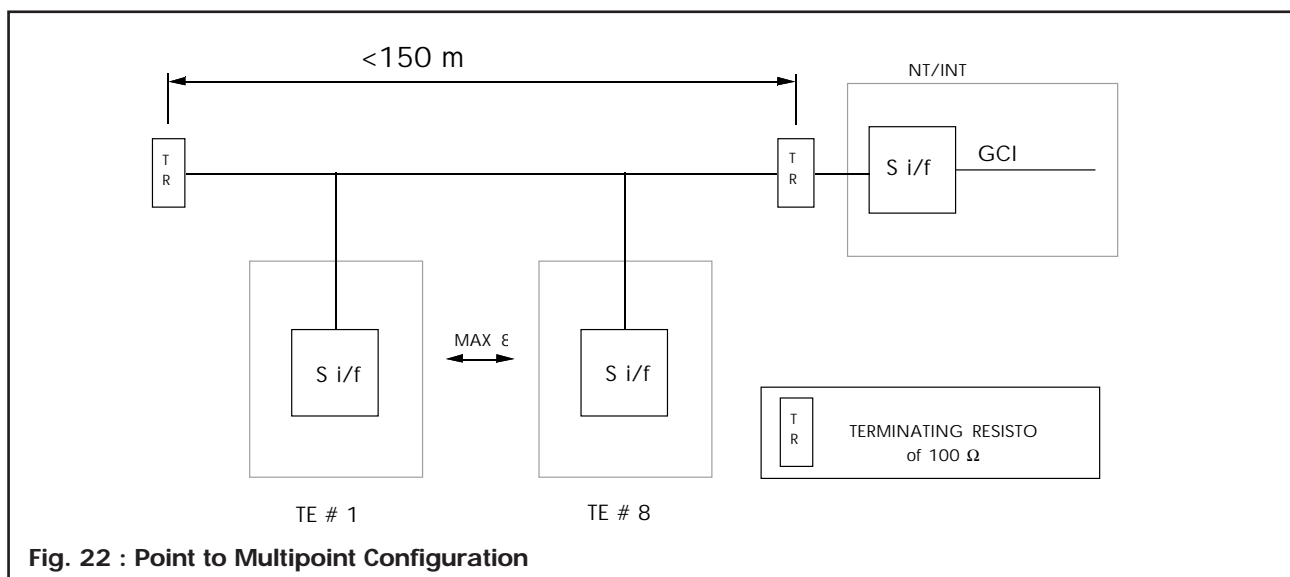
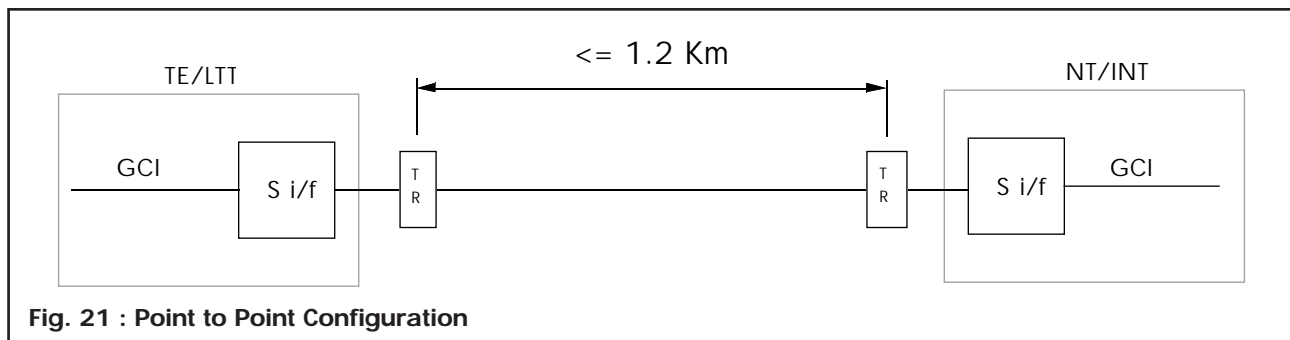
The S-interface can be used in a point-to-point and in a point to multipoint configuration (including extended passive bus). In the first configuration, the length of the cable is limited to approx. 1.2 km (see fig.21).

In the bus configuration (point to multipoint), up to 8 terminals may be connected to the S0-interface (fig.22). The terminals must be connected in a range of 150 m. For the extended passive bus, the terminals must be clustered within a 25m range with a maximum cable length of about 1 km.

To avoid bus mismatching when multiple TEs are connected, the driver stages present a high impedance when they are not powered.

Controlled access to the shared data channels is realized within the S-interface by a D-channel access procedure. Each terminal can be given a certain priority for D access. Via the echo bit, which is the reflection of the received D channel at the NT, it is possible for the terminal to detect the status of the D-channel. In order to try to gain access over the D-channel, a terminal has to see 8 to 11 consecutive ones in the echo-channel. The exact number depends on the priority given to the terminal. When several terminals try to gain access at the same time, collisions occur on the S-bus. The terminal that transmitted "one" but sees a "zero" in the echo channel detects the collision and loses the D-channel access.

The terminal that transmitted the "zero" gains the access. When a successful D-channel message is transmitted, the priority is decreased by 1 in order to guarantee fairness with the other terminals. The status of the D-channel of the TE/LTT is at the 5th bit position of the monitor byte. This enables the control of the D-channel by an external HDLC controller.



S-Interface General Overview

The block diagram of the S-interface is shown in fig.23.

Data from the So-interface is received by the S-interface receiver, which has a balanced input, an AGC stage, a filter and comparators with dynamically adapted thresholds. The timing of the received So-frame is fixed (Only NT).

In the fixed timing case, the timing is locked to the transmitted frame, and the tolerable phase delay on the received So-frame is limited. In adaptive timing mode, delays up to 48 μ s can be tolerated. The start of the received frame is detected in the FL-detection unit. An adaptive algorithm is used for compensation of the slope of the FL transition. A digital PLL recovers the received bit clock (192 kHz).

A second digital PLL generates the transmit bit clock (192 kHz), which is locked to the GCI frame. It is possible to compensate external circuits (e.g. filters) by adjusting the internal phase of the bit clocks by means of a register accessible by the monitor channel.

These circuits work with a 7680 kHz \pm 100 ppm clock. This clock is internally delivered to the S-interface by the U-interface block.

The serial B and D data from the V* GCI digital-interface is stored into a buffer with a dynamic pointer structure, and is presented to the S_transmitter where the So-frame formatting is done. In the other direction, the S_receiver unit disassembles the received So-frame.

The B and D data are stored in the buffer and multiplexed together with M, C/I, MX and MR into a digital V* GCI frame. The pointer structure of the buffer guarantees a minimum round-trip delay. If the clock wander becomes too big, a warning is given in the C/I channel, and the internal pointers are reinitialized.

Activation/deactivation procedures are handled in the status controller. Two basic modes are available: A V* mode, compatible with the U-interface block, and a GCI compatible mode. The S-interface automatically selects the connect mode.

The S/Q control module handles the multiframing on the S and the Q channel of the So-interface. This function is disabled in the INT.

In order to reduce the power consumption of the components connected to the subscriber line, the S-interface are switched to a power down mode during idle periods.

Test Modes Summary

Test loops may be closed in the S-interface, where all three channels (B1, B2 and D) are looped back as close as possible to the So-interface.

Loop 2 is a transparent loop where the transmitted So-frame is also switched on the S-bus. Activation from the So-interface is not possible.

Both loops are initiated over the C/I-channel and under control of a layer 2 component.

For further testing of the subscriber line, two test signals can be transmitted over the So-interface: A 96 kHz test sequence sending continuous AMI marks, and a 2 kHz test sequence sending single AMI marks. Both test modes are under control of the C/I channel, as well as TSP pin.

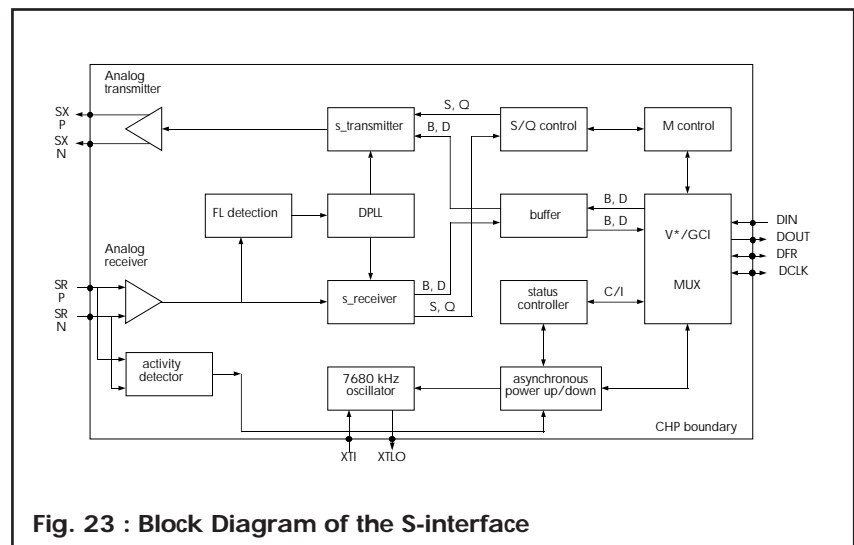


Fig. 23 : Block Diagram of the S-interface

GCI Clock Synchronization in the ISDN Environment for the Upstream S-Interface (NT)

In general the downstream devices are slaved to the upstream devices.

The S-interface is master of the S-bus, and can sample the received (upstream) S-bus frames with a receive clock at exactly the transmit frequency, but with an unknown phase.

The S-interface receives the GCI timing, and must derive the 192 kHz S-bus bit-clock from it. As the GCI timing is not necessarily a multiple of 192 kHz, the S-interface generates a 192 kHz TX and RX clock from a clock input at 7680 kHz +/- 100 ppm. The 192 kHz is not a pure divide by 40 of the X-tal, but is locked to the 8 kHz frame signal of the GCI-interface. This is a DPLL action where the 192 kHz clock period can be adjusted 1/40 of the 192 kHz clock period every 250 us. Note that jitter on the 192 kbit S-bus signals is a combination of the jitter on the 7680 kHz before the DPLL and the effects of the DPLL locking to the GCI 8 kHz frame.

The S-bus RX clock in fixed timing (short passive bus) is derived from the same clock input with the same frequency correction as the transmit clock, but with a phase offset. The corrections of 1/40 of a bit period are used in open loop here.

The S-bus RX clock in adaptive timing (extended bus, point to point) is also derived from the same master clock. However, the receiver must optimize the symbol sampling moment. This is an extra phase correction, which tracks wander and jitter of the received data. The receiver tracks the RX data by locking on the F/L transitions.

Note: The timing stays identical for an internal loop from TX to RX, because then the S-interface uses adaptive RX timing as well. Even an external S-bus loop can be applied, provided that the receiver does NOT work with fixed RX timing.

Conclusion: the S-interface block has 3 different clocks, which are locked in frequency, but with unknown phase relation. Because the clocks are derived via DPLL blocks the phase relation is not constant, but has some jitter and wander.

Clock Speed

The master clock runs at 7680 kHz +/- 100 PPM.

Internally the S-bus transceiver part runs at 192 kHz, derived from the master clock, but locked to the ISDN network clock with a phase locked loop, adjusting one 7.68 MHz period every 250 us. The ISDN network clock is sent downstream via the S-bus or the GCI interface.

The GCI part runs at the clockspeed of its interface, which is 512 kHz in NT mode.

Power Saving/Deactivation of the S-Interface

The S-interface is controlled via the GCI interface. This interface is designed to be shut down and consequently reactivated. Shutting the bus down is commanded by the controller on the bus. Once the command is acknowledged, there exists a fixed procedure to halt the clock (by the controller in NT). Reactivating the bus can be done by the S-interface or the controller.

When the GCI bus is going to be shut down, the S-bus transceiver is put to idle also. The S-bus transceiver enables an asynchronous signal detector, which can reactivate the S-interface on receipt of INFO via the S-bus. Then the S-interface shuts down the internal 7.68 MHz clock distribution. If the clock is externally provided it can be put to idle also, after the GCI bus has become idle. The S-interface can receive activation via the S-bus during the process of shutting down via the GCI bus.

Activation of the S-Interface in NT mode

Activation through the S-bus will be seen by the signal detector. The S-interface does not need a GCI clock to activate the GCI interface, which it does by asynchronously pulling the data line low. The master on the bus answers with GCI and frame, followed by commands via the C/I channel. The bus master also delivers the 7.68 MHz frequency simultaneously with GCI activation.

Activation through the GCI bus consists of clock and frame delivery, followed by commands via the C/I channel. The S-interface will activate the S-bus transceiver according to the commands, including the internal clock distribution. If the master clock must be delivered to S-interface. Note that the internal clock distribution to the S-transceiver section is delayed for 2 ms (using the GCI frame-clock).

Detailed Operational Description of the S-bus Interface

Introduction

In this section, external and internal operational details of the S-bus interface are given. Detailed interface timing and electrical specifications are given in related documents.

General Characteristics

The S-interface realizes full-duplex transmission of two B-channels (64 kbit/s each) and one D-channel (16 kbit/s). Additionally the S-interface allows controlled access to the common D-channel and the activation/ deactivation of each connected device.

Transmission Rate

The nominal transmission rate is 192 kbit/s in each direction. There is no requirement for special bit sequences in the B-channels.

Frame Structure

Data is transmitted within a frame of 48 bits in each direction. The nominal frame period is 250 μ s which gives a frequency of 4 kHz. The frame structure is not depending on 'bus' or 'point-to-point' configuration.

AMI S-bus Coding

For both directions a pseudo-ternary coding (AMI) is used. A binary '1' (high level logic) is coded as 'no signal' whereas a binary '0' sequence is represented by alternating positive and negative pulses.

The polarity inversions, coupled with a minimal density of marks per frame, reduce the low frequency components of the signal. The 4 kHz frame always starts with a positive pulse (F-bit), followed by a negative balance bit L. Balance Bits

Inside the frame more balance bits are present serving two purposes:

- 1) In both directions they guarantee that the polarity of the first bit or F-bit is constant. They also increase the mark density on the link.
- 2) Moreover, in uplink direction the bits in the frame can be generated by different terminals. Therefore, the frame is subdivided in groups of bits, each sent by a single terminal and terminated also with a balance bit. The first binary '0' of each group of bits except for the framing signal is coded as a negative pulse. The balance L-bit finishes those group with a positive mark if needed, to avoid violations of the mark inversion scheme. This allows the different B and D channel bits to be sent by different transmitters on a bus, because the AMI polarity is always fixed. Thus no AMI violation can be caused by the multipoint nature of the bus.

AMI Violations for Frame Synchronization

For synchronization purposes the AMI is violated twice per frame. A 48 bit frame always starts with a positive pulse (F-bit) followed by a negative balance bit L. The F-bit is a violation, because the last mark of the previous frame is positive also. The first binary '0' following a framing signal (F, L) is always negative, and is a second violation.

Frame Synchronization Distance Rule

There are two AMI violations in the frame: the F-bit at the beginning is at a fixed position. The second violation must follow the F-bit within 13 bit positions, because the frame contains an FA (auxiliary flag) at position 14, which is a binary 0, even if all other bits (2 to 13) are binary one. After the FA the

next violation will be the F flag itself, at a distance much larger than 13 bit positions. This distance rule allows for fast and reliable frame flag detection.

Frame Synchronization Multiframing Exceptions

AMI violation delay in multiframing:

At the TE/LT-T position the received FA bit is occasionally a binary 1 in case of multiframing. However, then the N bit at position 15 is a binary one, because it is the binary inverse of the FA. This guarantees a second violation within 14 positions after the F-bit.

AMI violation exception in multiframing:

At the NT/LT-S position the received FA bit is occasionally a binary 1 in case of multiframing. FA is followed by a balance bit L, which is then also at binary 1. If all B and D bits between F-L and FA-L are also at binary 1, then there is no second violation within the 14 positions. If the remaining bits (B and D channels) are also at 1 in the remainder of the 48 bit frame, then the second violation will be absent and next F-bit will be no violation! This can delay the synchronization and could trigger an invalid loss of synchronization.

The delayed synchronization during multiframing is unavoidable. To avoid an invalid loss of sync at the NT/LT-S when multiframing is on, all incorrect second violations (too late or missing) in uplink direction are ignored if the FA bit was a binary 1 in the corresponding 48 bit frame in downlink direction. Missing violation at the F-bit position are ignored if the preceding 48 bit frame (downlink) had the FA-bit at one.

Synchronization Principles - Adaptive Bit Timing

- 1) The receiver first finds the AMI violations by oversampling.
- 2) Immediate bit-synchronization is given by the F-L transition.
- 3) The distance rule of the next violation within 14 positions is used to validate the F-bit.
- 4) Frame synchronization is acquired after 3 correct frames, with a correct F-bit violation and a second one within 14 bit positions.
- 5) The F-L transition determines the adaptive bit sampling.
- 6) At NT/LT-S loss of sync after two frames not having F violation or second violation following the distance rule (at 14 bits), when no multiframing is active. The downlink signal stays active, but changes automatically from INFO4 to INFO2. In case of multiframing we ignore missing second violation within the 14 bit distance, or the missing violation at the next F-bit for uplink frames with the corresponding downlink FA bit at binary 1.

Synchronization Principles - Fixed Bus Timing

On a short passive bus the position of the bit sampling can be fixed. The points 3), 4) and 6) of the previous paragraph are executed. No oversampling is done, no DPLL action is needed to track the F-L edge.

Note that the fixed timing is changed automatically to adaptive timing, when internal S-bus loops are commanded. When external S-bus loops are used (e.g. for production test) only adaptive timing is suitable!

Pulse Polarity in the S-bus Frame

The receiver is polarity independent. The transmitter in NT mode has no polarity requirements.

Table 18

Signals from network to terminal		Signals from terminal to network	
INFO0	No signal, open circuit	INFO0	No signal, open circuit
INFO2	Frame with all bits of B, D, and E-Echo channels, and A bit at binary zero, FA, M, S, N and L bits follow the coding rules	INFO1	Continuous signal with the following pattern: positive zero, negative ZERO, six ONEs
INFO4	Frame with operational data on B, D, and E-Echo channels. Bit A set to binary ONE. FA, M, S, N, L bits follow to coding	INFO3	Synchronized frames with operational data on B, D channels. FA and L bits according to normal coding
TEST1	Send Single Zeros (SSZ), AMI marks, 250 us distance forced via pin (NT) or C/I	TEST1	Send Single Zeros (SSZ), AMI marks, 250 us distance forced via pin (NT) or C/I
TEST2	Send Continuous Zeros (SCZ), alternating marks, forced via pin (NT) or C/I	TEST2	Send Continuous Zeros (SCZ), alternating marks forced via pin (NT) or C/I

Transmitted Frames

Depending on the activation state of the interface the S-interface can transmit different signals called INFO 0, 1, 2, 3, and 4. Moreover two testsignals are defined:

The B-channel and D-channel are transparently transmitted on the S-bus. When idle those channels are all binary 1.

Details on Downlink Frames

The downlink frames transmitted by upstream devices contain an E-bit. During INFO4 the E-bit is the echoed D-channel-bit received from the downstream devices. This D-echo-channel is used for D-channel access procedure.

Two L-bits are used for DC-balancing, after the F-bit and the last bit the frame. In downlink direction some special bits are used:

- A-bit used for activation (A=1 for INFO4, A=0 for INFO2);
- S-bit coded as binary zero, if no multiframing active;

- N-bit coded as N = .NOT. FA (applies to INFO2 and INFO4);
- M-bit at binary zero, except when multiframing;
- FA-bit, additional flag (bin. zero), except when multiframing.

Without multiframing active S, FA, M bits are binary zeros. Multiframing is allowed to be active during INFO2 and INFO4 and influences the S, FA, M bits.

Details on Uplink Frames

The INFO3 frame transmitted at terminal-side consists of several groups of bits, each of them DC-balanced by an adjacent symmetry bit L.

The uplink D-channel requires an access protocol. Downlink multiframing influences the FA-bit in uplink (Q-channel): If the S-interface receives the FA-bit as binary 0 (electrical mark) it will always answer with binary 0.

If the S-interface sees the FA-bit as binary 1 it answers with binary 1, when multiframing is not active.

S-bus Transmitter Timing and Framing

The transmitter data are sent at 192 kHz. The 192 kHz are derived from the master frequency of 7.68 MHz, by division by 40. The transmitter framing is at 4 kHz. The timing is slaved to the downlink clocks, the 4 kHz S-bus frame is locked in phase to the available downlink framing.

Transmitter Timing and Framing at the NT

With a DPLL the 192 kHz is locked to the GCI interface, by synchronizing the S-bus frame with the GCI frame. The DPLL locks the falling edge of the F/L frame signal on the GCI frame signal. Jitter is according to the CCITT I.430 spec.

S-bus Receiver Timing and Synchronization

RX Frame Sync and Bit Sampling in NT Short Passive Bus Mode

The bit-sampling moment is fixed, and coupled with the TX bit clock, which is derived from the master clock, and locked to the GCI frame. The RX bit counters (counting the position of the uplink bits in the frame) are also locked to the downlink/TX bit counter. Uplink data are 2 counts late.

The fixed bit sampling moment is advanced 5 periods of the 7.68 MHz clock, before the edges of the S-interface transmit data stream. This is needed to allow an advance of 7% or 3 periods of the uplink data, allowed according to the CCITT to be sent by TE at zero distance, combined with a 1 period jump of the downlink data clock derived from the master clock.

This relationship is valid on the S-bus itself. Inside the S-interface the actual bit sampling must be delayed to account for the nominal delay of the external transformer, the internal filters and dri-

ver delays. The total delay of the external devices was estimated at 100 ns, the internal delay is implementation related. Moreover, the sampling can be delayed extra by 5 periods of the 7.68 MHz clock via the XTR4 pin, and also via internal register programming.

The frame synchronization knows the F position, and applies the rules explained earlier (i.e. without oversampling). The NT in fixed bus mode can be forced to loop the S-bus signals internally! Then S-interface applies adaptive timing, to test a maximal functionality.

Frame Synchronization Details in Adaptive Timing

During synchronization the device oversamples the incoming bits with a fixed threshold, which is at 33 % of the nominal pulse height, with AGC active.

First Violation Detection

The oversampling is done at the 7.68 Mhz master clock, or at a factor 40. A simple voting technique is used to detect a violation: the detector output increments a counter as long as the detected bits are marks of the same polarity or zeros. When a polarity change of the marks is seen, the counter is cleared. Whenever a sequence of more than 50 oversampled marks of the same polarity are seen, the receiver decides that a violation came in. The number 50 must not be too large, to allow synchronization on signals with flat edges.

After finding a single violation, the oversampling looks for the mark-to-zero and the subsequent zero-to-opposite-mark transition which it uses to estimate the actual F/L crossing; see next paragraph.

Violation Validation

During the hunt for frame synchronization the F/L transition forces the RX bit sampling clock and bit counter in a deterministic state, which is optimal. The RX part now hunts for a next violation. In fact the next mark must be a violation. This violation (polarity should be opposite, but this is ignored) must arrive before the counter indicates 14 received bits. If the second violation is found before 14 received bits, the F/L must be validated for 2 more consecutive frames. In all following frames the F/L transition is oversampled to lock the RX bit sampling clocks with DPLL movements of 1 period of 7.68 MHz. If the F/L validation is not correct during the 2 subsequent frames, the S-interface restarts its hunt.

RX Bit Synchronization NT Adaptive Bus

Bit synchronization is done only by detection of the F-L zero crossing. This is optimal for short busses and extended busses, where multiple signal sources are present, each with an independent bit timing. Only the F/L is a "stable" combination of all electrical drivers on the bus. For long point to point links the same technique is used, although averaging of all zero crossings would be better, theoretically.

Each time the bit counters indicate the reception of F/L, the RX part oversamples the transition at 7.68 MHz.

The F/L crossing is used for several purposes:

- 1) It gives an immediate estimate of the RX data optimal sampling moment, after a first violation is found, via oversampling.
 - 2) It indicates how to correct the RX 192 kHz sampling clock each frame by one 7.68 MHz period (DPLL action in adaptive RX sampling).
- The "F-L zero crossing" is not detected. The S-interface detects the transition mark-zero (instant t_1) and the subse-

MTC-20277 INTT

quent zero-opposite-mark (instant t_2). During the F/L bits the device oversamples the incoming signal with a fixed threshold, which is ALWAYS at 33 % of the nominal pulse height.

In between t_1 and t_2 the RX part counts "Y", the number of zeros, ignoring possible marks. The zero count Y is less than the t_2-t_1 , because noise could force marks to be seen by the receiver during the interval.

The number "Y" of intermediate zeros is used to estimate the slope of the arriving signal, to predict the edge of the F/L transition. Y is limited to 15, which corresponds to a first order time constant of 2 μ s for the S-bus data, filtered by the S-interface input filter. This is 2.5 times slower than the worst case point to point signal as specified in CCITT I.430.

Note that Y could be larger than 15 if the zero crossing is sought on a mark which is followed by a zero bit, i.e. when the violation is not the F bit followed by L.

Immediate Bit Synchronization at Instant t_2

When the receiver is not synchronized the receiver is oversampling and hunts for violations.

The F/L crossing is found at instant t_2 and the 192 kHz bit clock is preset to predict an optimal sampling moment. The data edge is estimated at instant ($t_2 - 2.00 \cdot Y$).

The optimal sampling precedes the theoretical edge by 8 periods of the 7.68 MHz clock. The advance is needed to allow a jitter of +/- 7% (15% or 6 periods of 7.68 MHz) of the data, allowed according to the CCITT to be sent by any TE, combined with a 1 period DPLL correction needed at the NT to correct for its own X-tal.

Continuous Bit Synchronization at Each F/L Crossing

Once the receiver is synchronized on

the data, the F/L edge is used on each frame to validate the sampling moment. The oversampling clock is used in the F/L window to validate the zero crossing.

At instant t_2 (zero to opposite mark transition) the state of the counter generating the 192 kHz clock from the 7.68 MHz is compared with the optimal value, which should be loaded for an immediate bit synchronization as explained above. If the difference (in # of periods of 7.68 MHz) is -1, 0, or 1, the counter is not changed, to provide hysteresis. If the difference is larger, the counters are adjusted with only 1/40, to limit the DPLL reaction.

In this manner the sampling moment is adjusted with one 7.68 MHz period, every 250 μ s. At the TE this allows a maximal frequency error of the X-tal of 500 PPM.

Timing Relation Between RX and TX on the S-bus in NT Mode

The delay between transmitted and received frames at NT is 2 bits plus the roundtrip delay across the S-interface, in normal operation. Worst case delay between downlink frames and uplink frames is 42 μ s (see CCITT) or 8 bits. Longer delays cause problems to correctly send the E-channel bits. In loop-back mode, the delay is zero.

The receiver in NT is conceived to accept any delay, while in adaptive sampling mode. This is convenient when looping the S-bus signals. E-channel operation is only correct if the delay is 0 to 8 bits.

The delay trimming via XTR4 or X4 pin delays the sampling moment with 5 periods of the 7.68 Mhz clock or 650 ns in NT mode with fixed timing on short bus. In the adaptive timing mode no effect is seen.

The delay trimming can also be controlled via the GCI M-channel adding

another 650 ns to the effect of the XTR4 pin.

Frame Relation Between GCI and S-Interface

If the S-interface is in the Network position, the 192 kHz S-bus bit clock is derived from the master clock, which is locked to the 8 kHz frame of the GCI bus.

The leading edge of the F-bit starts the frame on the S-bus. The DPLL forces this F-bit edge in a fixed range relative to the frame signal of the GCI bus.

The F-bit start is situated in a 520 ns zone starting with the edge between bit0 and bit1 on the GCI bus. The uncertainty is caused by the DPLL actions which will correct the 192 kHz S-bus clock in steps of 130 ns, i.e. one 7.68 MHz period.

This phase relation optimizes the total roundtrip delay on the S-bus for each B-channel, if the GCI clock is 512 kHz.

The delay of the NT with S-bus looped is only 125 μ s for both B-channels at the GCI side.

E-Channel Generation

At the NT site the S-interfaceA mirrors the uplink D-bits in the downlink E-channel.

The purpose of the E-channel is to control the D-channel access from multiple TEs on the S-bus.

In INFO2 the E-bits are zero, in INFO4 the E-channel mirrors the preceding D-channel bit received in the S-bus receiver.

Multiframing - S and Q Channels

The S-interface block supports multiframing according to I.430 but multiframing is disabled on chip.

S-Interface Programming

M-Channel Messages and Registers

In the INTQ, the S-interface block can operate in its normal mode, or can be selected to operate in a reduced function mode compatible with earlier devices.

Introduction

In the S-interface block, the M-Channel is used for the transfer of operation and maintenance information:

- 1) The TRANSFER of system related registers (S and Q channel of multitraining);
- 2) The WRITE and READ operations of internal registers;
 - Test and identification registers;
 - Mode registers, overriding the default state, changing the modes without having to change straps;
 - Control registers to change auxiliary inputs and outputs;
 - Status registers, e.g. alarm and error monitoring;
- 3) The transfer of the BUSY indication for the D-channel access, present in all modes.

In the reduced mode, the use of the M-channel is not necessary. However, it is available to access the multi-frame S and Q bits, and to access some internal registers with added features.

M-Channel Receiver and Transmitter

In the S-interface the M-channel transceiver works half-duplex, with messages length 2 bytes, with the M-channel going to idle after every message, to allow a change of direction in the S-interface M-transceiver.

General Content of M-Channel Messages

In the S-interface block, the M-channel messages are limited to double bytes. The first nybble of the message is a general address, defined in the GCI standards. In the S-interface this address nibble is limited to: 0001b, used to access S and Q channel bits; 1000b, used to read or write internal registers. All other values are ignored.

S and Q Channel Messages

This feature is disabled on the INTQ.

Internal Register M-Channel Messages

All internal register operations on the M-channel are double byte messages. Both READ and WRITE operations are possible. After every operation, the M-channel must go idle again. Concatenation of double byte messages could result in errors. Messages which are aborted are ignored. The S-interface block debounces the different bytes of the message. A WRITE operation is a one way message, acknowledged only via the MR bit. However, every register can be read. A READ operation results in an answer, delivering the CONTENT. The READ operation causes the two directions of the M-channel to be logically dependent! After the READ message to the S-interface block the incoming M-channel must return to IDLE. The M-transceiver in the S-interface block gives priority to the delivery of the CONTENT and/or S/Q messages, before it can handle the next incoming READ/WRITE or S/Q message.

M-Channel Operations

M-Channel Format - Bit and Byte Numbering Convention

The M-channel is a byte oriented channel. Bytes (also called octets) are transmitted in ascending numerical order. Within a byte the most significant bit is transmitted first. The four most significant bits of the first message byte represent a general address, discussed under 7.3.

Byte Transfer Procedure

To transfer a message composed of subsequent bytes on the GCI M-channel each byte is presented by the transmitter and acknowledged by the receiver. For that purpose the two M-channels (to and from the S-interface) have separate handshake bits, the MR and MX bits in the B1*-channel. The MX bit signals the presence of new information in the M-byte, the MR bit signals the reading of the information by the receiver.

Idle M-Channel

The procedure starts from idle, where MX and MR are both inactive at 1. The M-channel content during idle is invalid and should be at FFh. However, the idle value received by the S-interface is ignored.

Start of Message (SOM) and First Byte Transfer

From the idle state a start of message transmission is initiated by the sender with the transition of the MX-bit from inactive to the active state. The data to be transmitted are passed in the M-byte starting in the same frame as the MX-bit activation. In normal operation the first byte must be kept constant in the M-channel until the SOM is acknowledged by the receiver.

Acknowledge of the SOM and First Byte

On detection of the SOM the receiver will read the M-byte. It will acknowledge reception, provided that identical data were seen in the M-channel during two consecutive frames. To acknowledge SOM and the first byte, the MR bit goes from inactive to the active state, remaining there, until:

- 1) a next byte is transferred, with MX indication, see next paragraph;
- 2) an EOM is signalled by the transmitter;
- 3) the receiver wants to abort the message.

Further Byte Transfers

In the case of the second byte transfer, the sender must detect the transition of the MR bit of the receiver from inactive to the active state (negative edge 1 to 0), before transmitting the second byte, see previous paragraph. The sender indicates a new byte of information by the transition of the MX bit from active to inactive, for exactly one frame. The data is valid in the same frame. The next frame the MX bit goes from inactive to active, and the valid data are repeated. The data are thus repeated for minimally two frames. The sender repeats the data in all subsequent frames until the receiver returns the MR bit inactive, to acknowledge the data (see next paragraph), or to abort the message.

Further Byte Acknowledgement

Each subsequent byte (signaled by MX going high for one frame, see previous paragraph) is acknowledged by the receiver once it has seen two consecutive identical bytes in the M-channel. It acknowledges it by putting the MR inactive (at 1) for exactly one frame.

In the next frame the MR bit must go back to active.

End of Message (EOM)

Once the sender has received the acknowledge of the last byte, it changes the content to FFh, moves the MX to inactive and keeps it inactive for at least two frames.

Acknowledge of EOM

After the EOM of the sender, the receiver acknowledges the EOM by putting MR bit in the inactive state for at least two frames, keeping it there until the transmitter goes active again.

Sender Not Ready

If the sender is not ready (second byte or subsequent) the MX bit will be kept in the active state and the channel byte stays constant.

Receiver Not Ready

If the receiver is not ready for the first byte it keeps the MR in the inactive state. If the receiver is not ready for the second byte, it refuses to acknowledge the bytes by keeping MR in the active state.

IDLE Forced From Sender

If the first byte is never acknowledged, i.e. MR staying at 1, the sender can force the M-channel and MX to IDLE. If the reception of a subsequent byte is not (or not yet) acknowledged (MR is staying active at 0) by the receiver, the sender can put the M-channel and MX to IDLE. The receiver should return MR to inactive. The last byte or even the complete message are never really acknowledged by the receiver.

Abort Request From Receiver

The receiver can abort a message after the SOM acknowledge or any subsequent byte acknowledge by forcing MR inactive for at least two frames. The S-

interface aborts a message only when it is forced in hard reset.

Acknowledge Abort

The sender acknowledges the abort request by entering the idle state.

Reset of the M-Channel Transceiver

At reset, the M-channel transceiver is forced to the idle state.

All message bytes are put to idle, the MX and MR bits are forced to 1, aborting any ongoing message.

MTC-20277 INTT

Write Operation

For a Write operation, the double byte messages is as follows:

Table 19

To S i/f block	byte 1:	1	0	0	0	X	ADR2	ADR1	ADRO
	byte 2:	CONTENT (MSB first to LSB last)							

There is no outgoing message in reaction to the WRITE.

The second nibble is address of the internal register, limited from 1 to 6 in

the S-interface block. The write addresses must differ from 0000, otherwise the READ operation is assumed.

Read Operation and Content

For a READ operation, the double byte messages is as follows:

Table 20

To S i/f block	byte 1:	1	0	0	0	0	0	0	0
	byte 2:	X	X	X	X	X	ADR2	ADR1	ADRO

The second nibble is all zero for an internal READ operation. The fourth nibble is the address of the register,

The answer is the CONTENT message, two bytes as follows:

From S i/f block	byte 1:	1	0	0	0	BUSY	ADR2	ADR1	ADRO
	byte 2:	CONTENT (MSB first to LSB last)							

The second nibble is the address of the internal register. The second byte contains the content of the regis-

ter. The BUSY bit, when set, indicates that the D Channel is in use.

Detailed Bitmap of the Internal Registers

Table 21

Address	name	Bits								Access
		sent first						sent last		
0h	ID	0	1	1	0	BUSY	0	0	0	read
1h	VN	0	0	0	0	BUSY	X	X	X	read
2h	CONF	BT1/SC	BTO	DEX1	DEXO	BUSY	MFE	LTS/T	DELT	rd/wr
3h	OUT	AUX4b 1	AUX4b 0	AUX3b 1	AUX3b 0	BUSY	TEST	AUX1 b 1	AUX1 b 0	rd/wr
4h	IN1	AUX4	AUX3	-	AUX1	BUSY	MOD2	MOD1	MOD0	read
5h	IN2	(TEST)	SCLK	XTR4	XTR3	BUSY	XTR2	XTR1	XTR0	read
6h	PERF	S1/Qb1	S1/Qb2	S1/Qb3	S1/Qb4	BUSY	SLIP	MFR	BER	read
7h	TEST	device test only; not used in normal operation								rd/wr

MTC-20277 INTT

Identification Register Read Only Address 0h

Table 22	0	1	1	0	BUSY	0	0	0
ID	0	1	1	0	BUSY	0	0	0

Version Number Register Read and Write Address 1h

VN	0	0	0	0	BUSY	X	X	X
	0	0	0	0	BUSY	X	X	X

The version number of the device starts at 00h.

Configuration Register Read and Write Address 2h

Table 24

CONF	BT1/SC	BT0	DEX1	DEX0	BUSY	MFE	RES	DELT
reset	0	0	0	0	0	0	0	0

BT1/SC	BT0	bus type selection
0	X	bus type according to BUS pin; value at reset;
1	0	bus type = Adaptive; BUS pin ignored, pin usable as I/O;
1	1	bus type = Fixed; BUS pin ignored.

DEX1	DEX0	Common Echo Bus mode selection
0	X	No operation.
1	0	DE/CEB bus not active.
1	1	DE/CEB bus driven and sensed.

BUSY	READ only bit. Must be written at 0, writing BUSY at 1 triggers testmodes.
MFE	Multiframing enable if 1; Reset value is 0. Always write as 0. Multiframing is disabled in the MTC-20276.
RES	Not used in this configuration. Always write 0. (Reserved)
DELT	Delay trimming: compensate 650 ns on the fixed bus sampling in the NT, transceiver roundtrip. Setting this bit increases the delay to 1300ns.

Output Register Read and Write Address 3h

Table 25

OUT	RES4b1	RES4b0	RES3b1	RES3b0	BUSY	TEST	RES1 b1	RES1 b0
reset	0	0	0	0	0	0	0	0

Note: The RES(i) pins are reserved and cannot be used in this configuration.

BUSY	Read only bit. Must be written 0, writing BUSY 1 triggers test modes.
TEST	Must be written 0, writing TEST 1 triggers test modes.

IN1 and IN2 Registers Read Only Addresses 4h and 5h

Table 26

IN1 Reads	AUX4 x	1 1	AUX3 x	AUX1 1	BUSY BUSY	MOD2 1	MOD1 reduced mode select	MODO 1
IN2 Reads	(TEST)	SCLK 1	XTR4 DELTA	XTR3 S-bus mode	BUSY BUSY	XTR2 TSP	XTR1 0	XTRO 0

The bits represent the binary level of the input pin. All values are sampled asynchronously at the moment the content

message is assembled. The BUSY bit is also present here.

Performance Register Read Only Address 6h

Table 27

PERF	RES	RES	RES	RES	BUSY	RES	MFR	BER
------	-----	-----	-----	-----	------	-----	-----	-----

The RES bits are reserved and cannot be used in this configuration.

BER : Bit Error Rate. This indicate that the SIC blocks has seen excessive bit errors, indicating a link transmission problem.

RES	Always reads as 0
MFR	Indicates Multiframe synchronization if at 1.
BER	Set each time the BER signal goes low, reset after being read.

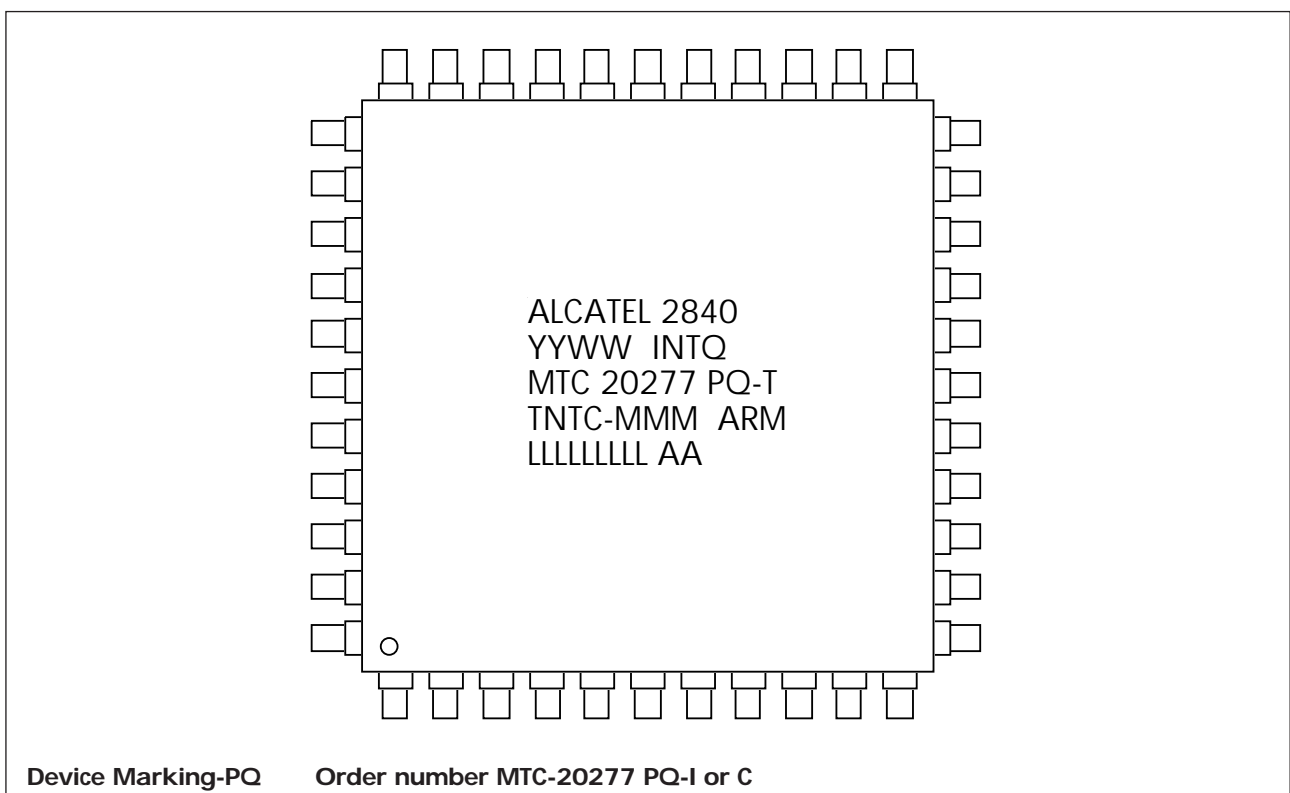
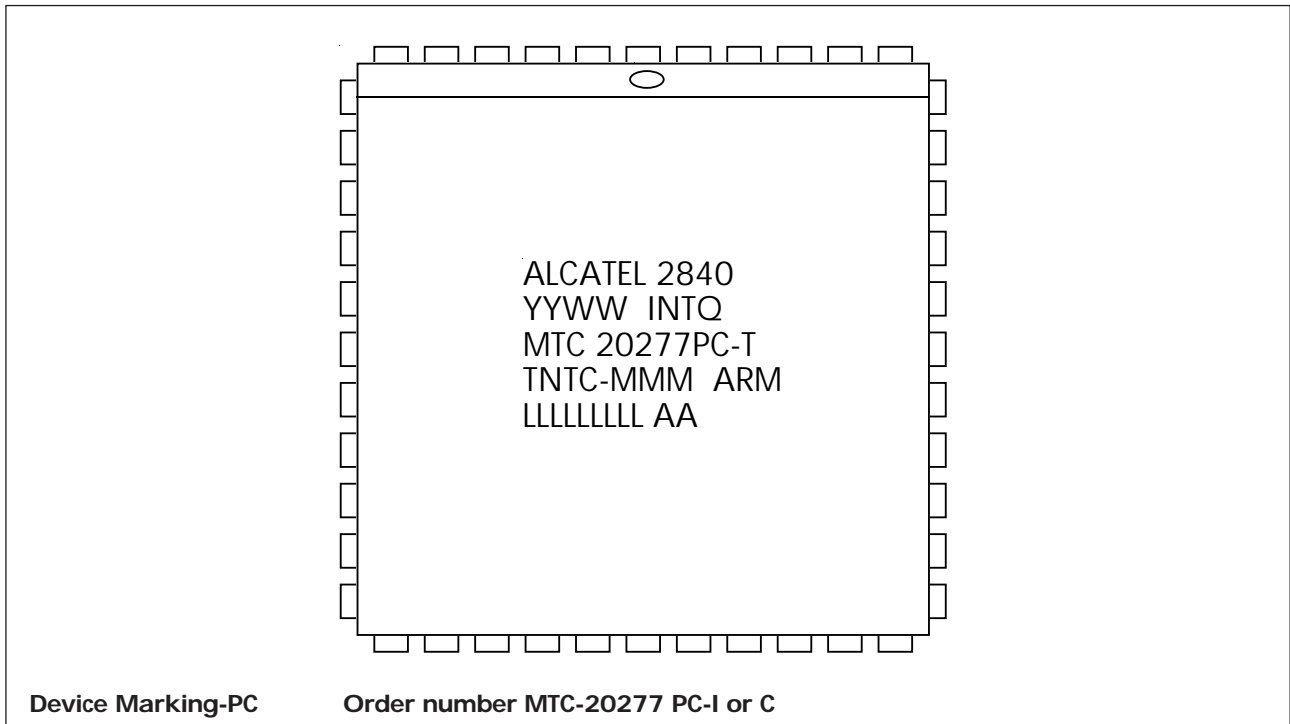
M-Channel operation messages overview

register name	to the SIC block				from the SIC block	
	read message		write message		content message	
	byte 1	byte 2	byte 1	byte 2	byte 1	byte 2
identification	80h	00h	-	-	80h	content
version number	80h	01h	-	-	81h	content
configuration	80h	02h	82h	content	82h	content
output	80h	03h	83h	content	83h	content
input1	80h	04h	(test only)		84h	content
input2	80h	05h	(test only)		85h	content
performance	80h	06h	-	-	86h	content
test	(test only)		(test only)		(test only)	
S/Q channel	-	-	1Fh	S/Q	1Fh	S/Q

MTC-20277 INTT

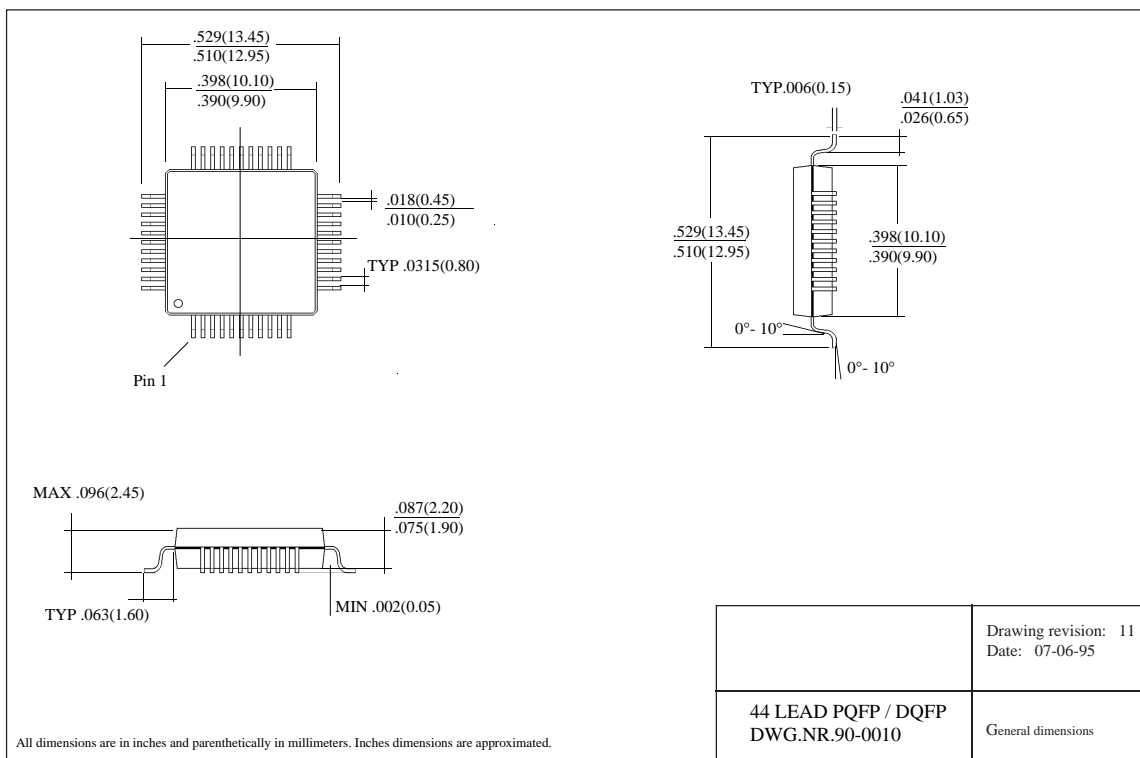
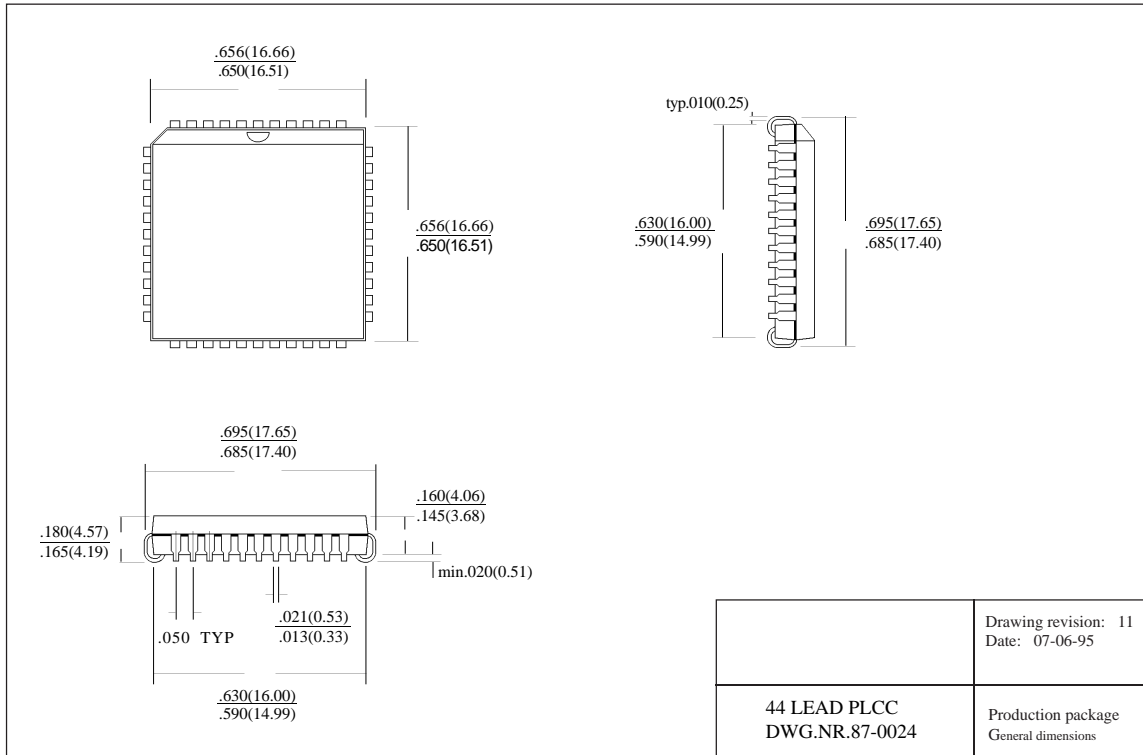
Package Specification

Device Branding



MTC-20277 INTT

44PQFP and 44PLCC Mechanical Specification



MTC-20277 INTT

MTC-20277 INTT

MTC-20277 INTT

Alcatel Microelectronics acknowledges the trademarks of all companies referred to in this document.

This document contains information on a new product. Alcatel Microelectronics reserves the right to make changes in specifications at any time and without notice.

The information furnished by Alcatel Microelectronics in this document is believed to be accurate and reliable. However, no responsibility is assumed by Alcatel Microelectronics for its use, nor for any infringements of patents or

other rights of third parties resulting from its use. No licence is granted under any patents or patent rights of Alcatel Microelectronics.

Alcatel Microelectronics

info@mie.alcatel.be

<http://www.alcatel.com/telecom/micro>

Sales Offices

Central Europe
Arabellastraße 4
81925 München
Germany

Stuttgart Office
Schwieberdingerstraße 9
70435 Stuttgart
Germany

Northern Europe
Excelsiorlaan 44-46
1930 Zaventem
Belgium

Tel. +49 89 920 07 70
Fax +49 89 910 15 59

Tel. +49 711 821 45 304
Fax +49 711 821 44 619

Tel. +32 2 718 18 11
Fax +32 2 725 37 49

Sales & Design Centres

Italy
Via Trento 30
20059 Vimercate MI
Italy

Southern Europe
10, rue Latécoère, B.P.57
78140 Vélizy Cedex
France

USA
M/S 412-115
1225 N. Alma Road
Richardson
TX 75081-2206

Tel. +39 039 686 4520
Fax +39 039 686 6899

Tel. +33 1 46 32 53 86
Fax +33 1 46 32 55 68

Tel. +1 972 996 2489
Fax +1 972 996 2503

Representatives

Northern Germany
TRIAS
Moerser Landstraße 408
47802 Krefeld
Germany

UK
Alfa-µ Comp.
Springfield Hse, Cranes Rd
Sheborne St. John
Basingstoke, HA RG24 9LJ
United Kingdom

Taiwan ROC
Alcatel ITS Ltd
Suite D, 8th floor 133
Section 3, Min Seng E. Rd
Taipei 015,
Taiwan

Japan
Alcatel ITS Japan Ltd
Yubisu Gdn Plae Twr 24
20-3 Ebisu 4-chrome,
Shibuyaku
Tokyo, 150, Japan

Marketing & Design Centre

Excelsiorlaan 44-46
1930 Zaventem
Belgium

Headquarters Manufacturing & Customer Service

Westerring 15
9700 Oudenaarde
Belgium

Tel. +49 2151 95 30 10
Fax +49 2151 95 30 105

Tel. +44 12 56 851 770
Fax +44 12 56 851 771

Tel. +886 2 717 1255
Fax +886 2 717 1250

Tel. +81 3 5424 8561
Fax +81 3 5424 8581

Tel. +32 2 718 18 11
Fax +32 2 725 37 49

Tel. +32 55 33 24 70
Fax +32 55 33 27 68

USA

Premier Technical Sales

SAN DIEGO, CA, 2011 Via Tiempo, Cardiff, CA 92007, Tel. (760) 943 6222, Fax (760) 943 0425
SANTA CLARA, CA, 3235 Kifer Road, Suite 110, Santa Clara, CA 95051, Tel. (408) 736 2260, Fax (408) 736 2826
TUSTIN, CA, 2660 Walnut Ave, Unit H, Tustin, CA 92680, Tel. (714) 573 8242, Fax (714) 573 4942
ATLANTA, GA, 135 Arden Way, Peachtree City, GA 30269, Tel. (770) 632 9648, Fax (770) 486 4098
BOSTON, MA, 33 Boston Post Road West, Suite 270, Marlboro, MA 01752, Tel. (508) 460 1730, Fax (508) 460 1731
PORTLAND, OR, 5319 S.W. Westgate Dr. Suite 136, Portland, OR 97221, Tel. (503) 297 3956, Fax (503) 297 4956
AUSTIN, TX, 12148 Jollyville Road, Unit 422, Austin, TX 78759, Tel. (512) 257 8218, Fax (512) 257 1714
DALLAS, TX, 800 East Campbell Road, Suite 199, Richardson, TX 75081, Tel. (972) 680 5233, Fax (972) 680 5234
OTTAWA, ONTARIO, CANADA, 43 Pretty Street, Stittsville, Ontario, K2S1A4 Canada, Tel. (613) 836 1779, Fax (613) 836 4459